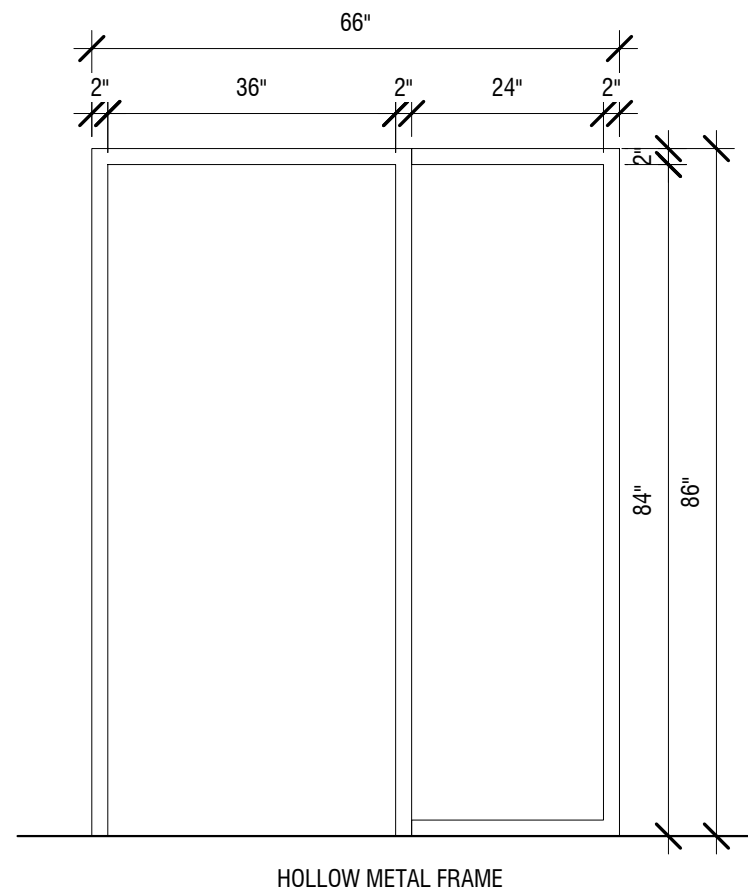
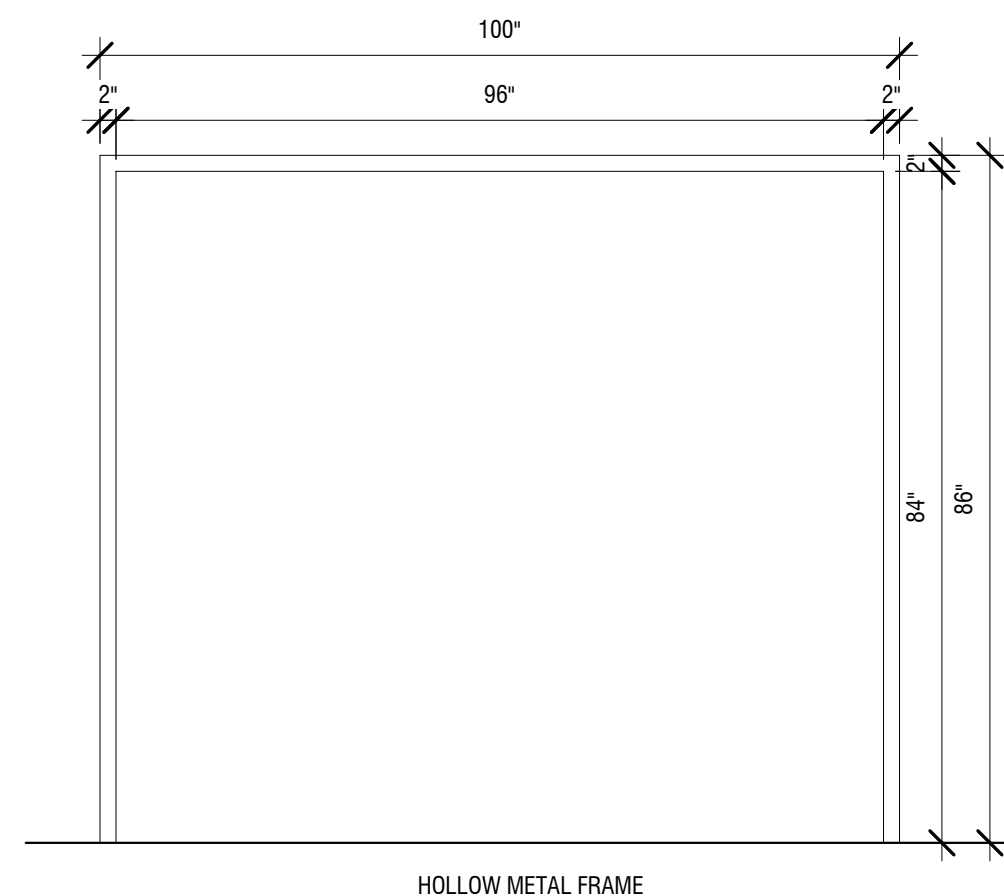


F1

F2

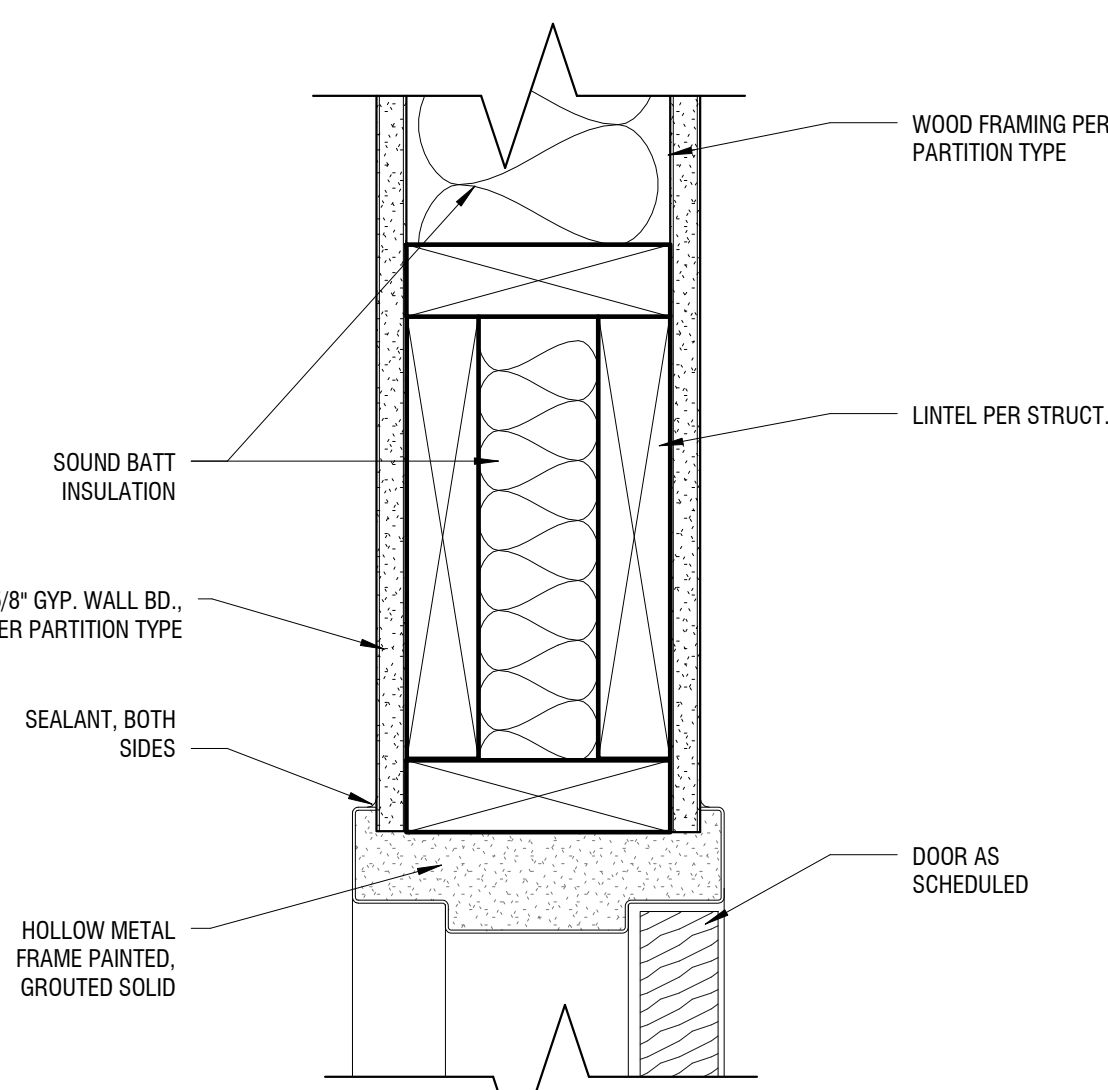


F3

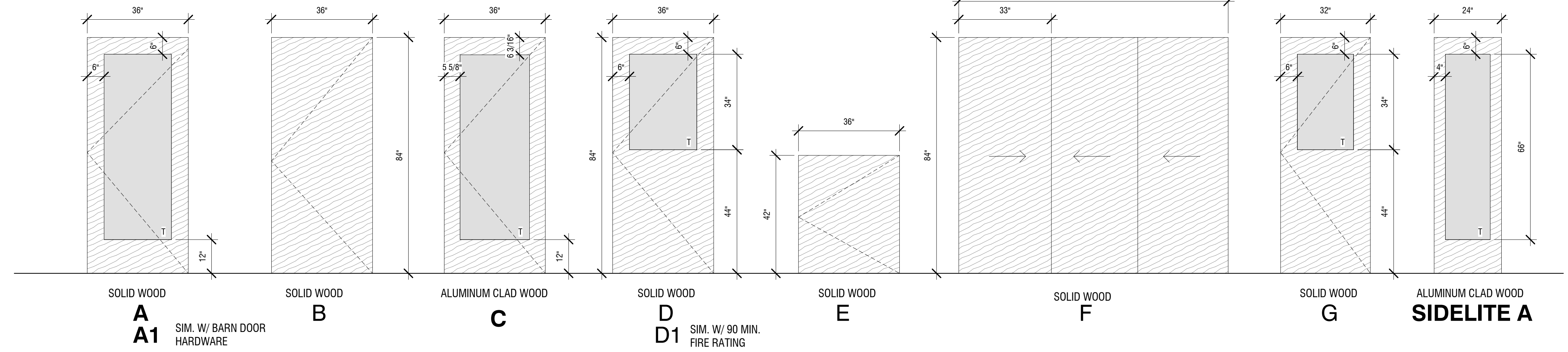


F4

*ALL HOLLOW METAL FRAMES TO BE GROUTED SOLID.
FRAME TYPES
1/2" = 1'-0"



HOLLOW METAL DOOR HEAD @ 6" STUD
WALL/JAMB SIMILAR
3" = 1'-0"



SOLID WOOD

SOLID WOOD

ALUMINUM CLAD WOOD

SOLID WOOD

SOLID WOOD

SOLID WOOD

SOLID WOOD

ALUMINUM CLAD WOOD

A

B

C

D

E

F

G

SIDELITE A

A1 SIM. W/ BARN DOOR
HARDWARE

D1 SIM. W/ 90 MIN.
FIRE RATING

1 DOOR TYPES
1/2" = 1'-0" * ALL GLASS TO BE TEMPERED. SEE DOOR SCHEDULE FOR GLAZING TYPES

DOOR SCHEDULE SEE SECTION 08_7100 OF PROJECT MANUAL FOR HARDWARE SCHEDULE

DOOR NUMBER	DOOR TYPE	WIDTH	HEIGHT	DOOR MATERIAL	FRAME TYPE	FRAME MATERIAL	Glazing	Hardware Group	Fire Rating	Comments
99-1	C	3' - 0"	7' - 0"	Aluminum Clad Wood	-	Aluminum Clad Wood	Clear Insulated tempered			BASIS OF DESIGN: SIERRA PACIFIC COMMERCIAL OUTSWING
99-1A	SIDELITE A	2' - 0"	7' - 0"	Aluminum Clad Wood	-	Aluminum Clad Wood	Clear Insulated tempered			BASIS OF DESIGN: SIERRA PACIFIC COMMERCIAL SIDELITE
99-2	C	3' - 0"	7' - 0"	Aluminum Clad Wood	-	Aluminum Clad Wood	Clear Insulated tempered			BASIS OF DESIGN: SIERRA PACIFIC COMMERCIAL OUTSWING
99-2A	SIDELITE A	2' - 0"	7' - 0"	Aluminum Clad Wood	-	Aluminum Clad Wood	Clear Insulated tempered			BASIS OF DESIGN: SIERRA PACIFIC COMMERCIAL SIDELITE
100-1	E	3' - 0"	3' - 6"	Solid Wood	SHOP BUILT	SOLID WOOD	-			
102-1	A	3' - 0"	7' - 0"	Solid Wood, full lite	F1	HM	Satin etch, tempered			
103-1	A	3' - 0"	7' - 0"	Solid Wood, full lite	F1	HM	Satin etch, tempered			
104-1	A1	3' - 0"	7' - 0"	Solid Wood, full lite	F1	HM	Satin etch, tempered	BARN		BARN TYPE, NO MORTISES IN DOOR OR HM FRAME
106-1	D1	3' - 0"	7' - 0"	Solid Wood, half lite	F1	HM	Clear tempered, 90 min. fire rated		90 MIN.	
106-2	A	3' - 0"	7' - 0"	Solid Wood, full lite	F3	HM	Clear tempered			HM FRAME W/ SIDELITE
106-2A	SIDELITE B	2' - 0"	7' - 0"	-	F3	HM	Clear tempered			
106-2B	B	3' - 0"	7' - 0"	Solid Wood	F1	HM	-			
108-1	B	3' - 0"	7' - 0"	Solid Wood	F1	HM	-			
109-1	A1	3' - 0"	7' - 0"	Solid Wood, full lite	F1	HM	Satin etch, tempered	BARN		BARN TYPE, NO MORTISES IN HM FRAME
110-1	B	3' - 0"	7' - 0"	Solid Wood	F1	HM	-			
111-1	B1	3' - 0"	7' - 0"	Solid Wood	F1	HM	-		90 MIN.	MAGNETIC HOLD OPEN
111-2	-	3' - 0"	7' - 0"	-	F1	HM	-			FRAME ONLY, NO MORTISES IN HM FRAME
112-1	B	3' - 0"	7' - 0"	Solid Wood	F1	HM	-			
113-1	B	3' - 0"	7' - 0"	Solid Wood	F1	HM	-			
114-1	B	3' - 0"	7' - 0"	Solid Wood	F1	HM	-			
115-1	B	3' - 0"	7' - 0"	Solid Wood	F1	HM	-			
116-1	C	3' - 0"	7' - 0"	Aluminum Clad Wood	F1	Aluminum Clad Wood	Clear Insulated tempered			BASIS OF DESIGN: SIERRA PACIFIC COMMERCIAL OUTSWING
116-1A	SIDELITE A	2' - 0"	7' - 0"	Aluminum Clad Wood	-	Aluminum Clad Wood	Clear Insulated tempered			BASIS OF DESIGN: SIERRA PACIFIC COMMERCIAL SIDELITE
116-2	C	3' - 0"	7' - 0"	Aluminum Clad Wood	-	Aluminum Clad Wood	Clear Insulated tempered			BASIS OF DESIGN: SIERRA PACIFIC COMMERCIAL OUTSWING
116-2A	SIDELITE A	2' - 0"	7' - 0"	Aluminum Clad Wood	-	Aluminum Clad Wood	Clear Insulated tempered			BASIS OF DESIGN: SIERRA PACIFIC COMMERCIAL SIDELITE
118-1	C	3' - 0"	7' - 0"	Aluminum Clad Wood	-	Aluminum Clad Wood	Clear Insulated tempered			BASIS OF DESIGN: SIERRA PACIFIC COMMERCIAL OUTSWING
118-1A	SIDELITE A	2' - 0"	7' - 0"	Aluminum Clad Wood	-	Aluminum Clad Wood	Clear Insulated tempered			BASIS OF DESIGN: SIERRA PACIFIC COMMERCIAL SIDELITE
118-1B	SIDELITE A	2' - 0"	7' - 0"	Aluminum Clad Wood	-	Aluminum Clad Wood	Clear Insulated tempered			BASIS OF DESIGN: SIERRA PACIFIC COMMERCIAL SIDELITE
202-1	A	3' - 0"	7' - 0"	Solid Wood, full lite	F1	HM	Satin etch, tempered			
203-1	A	3' - 0"	7' - 0"	Solid Wood, full lite	F1	HM	Satin etch, tempered			
204-1	A1	3' - 0"	7' - 0"	Solid Wood, full lite	F1	HM	Satin etch, tempered	BARN		BARN TYPE, NO MORTISES IN DOOR OR HM FRAME
205-1	A1	3' - 0"	7' - 0"	Solid Wood, full lite	F1	HM	Satin etch, tempered	BARN		BARN TYPE, NO MORTISES IN DOOR OR HM FRAME
208-1	C	3' - 0"	7' - 0"	Aluminum Clad Wood	-	HM	Clear Insulated tempered			
209-1	B	3' - 0"	7' - 0"	Solid Wood	F1	HM	-			
210-1	G	2' - 8"	7' - 0"	Solid Wood, half lite	F2	HM	Satin etch, tempered			
211-1	G	2' - 8"	7' - 0"	Solid Wood, half lite	F2	HM	Satin etch, tempered			
212-1	A	3' - 0"	7' - 0"	Solid Wood, full lite	F1	HM	Satin etch, tempered			
213-1	A	3' - 0"	7' - 0"	Solid Wood, full lite	F1	HM	Satin etch, tempered			
214-1	A	3' - 0"	7' - 0"	Solid Wood, full lite	F1	HM	Satin etch, tempered			
215-1	A	3' - 0"	7' - 0"	Solid Wood, full lite	F1	HM	Satin etch, tempered			
216-1	A	3' - 0"	7' - 0"	Solid Wood, full lite	F1	HM	Satin etch, tempered			