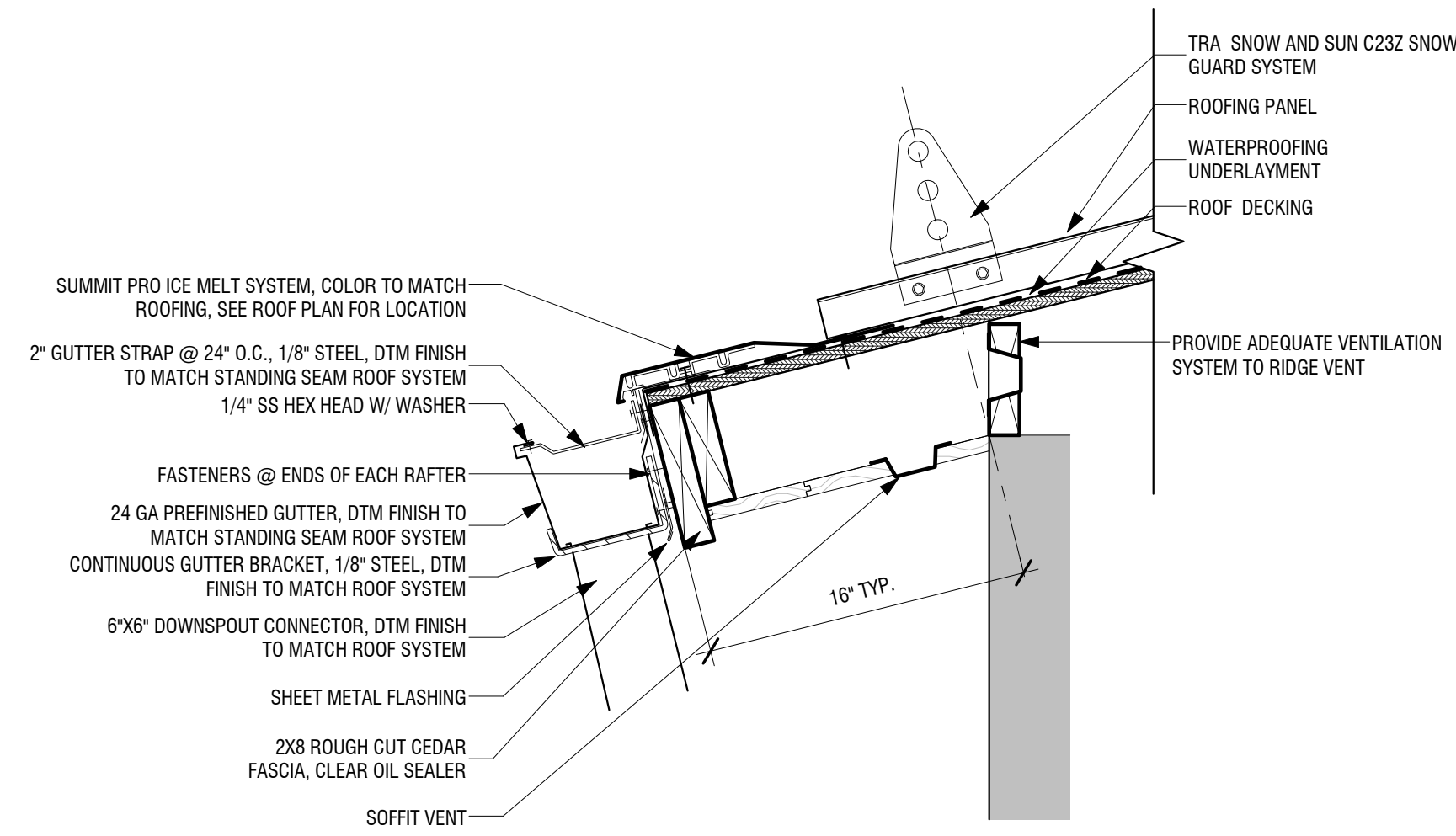
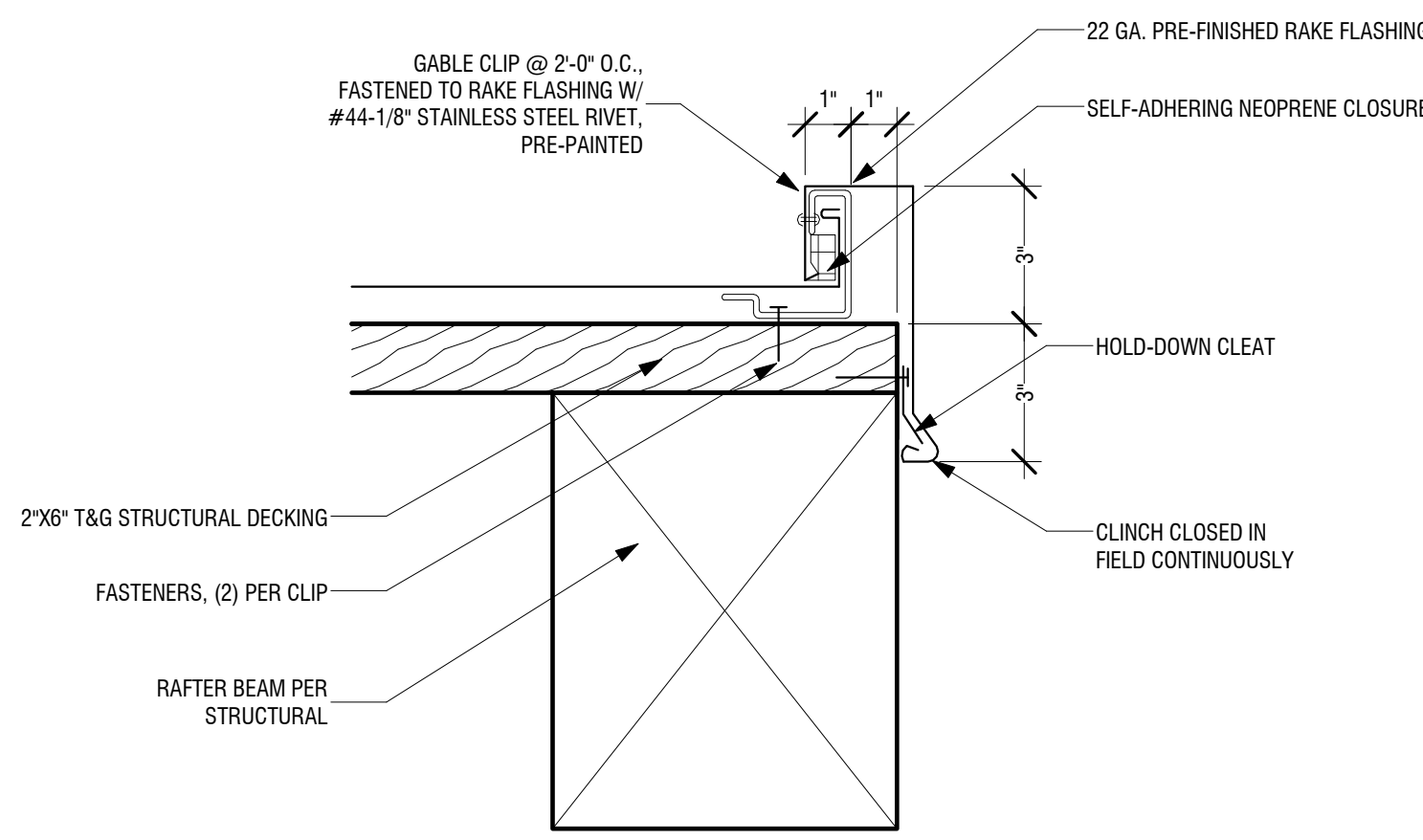


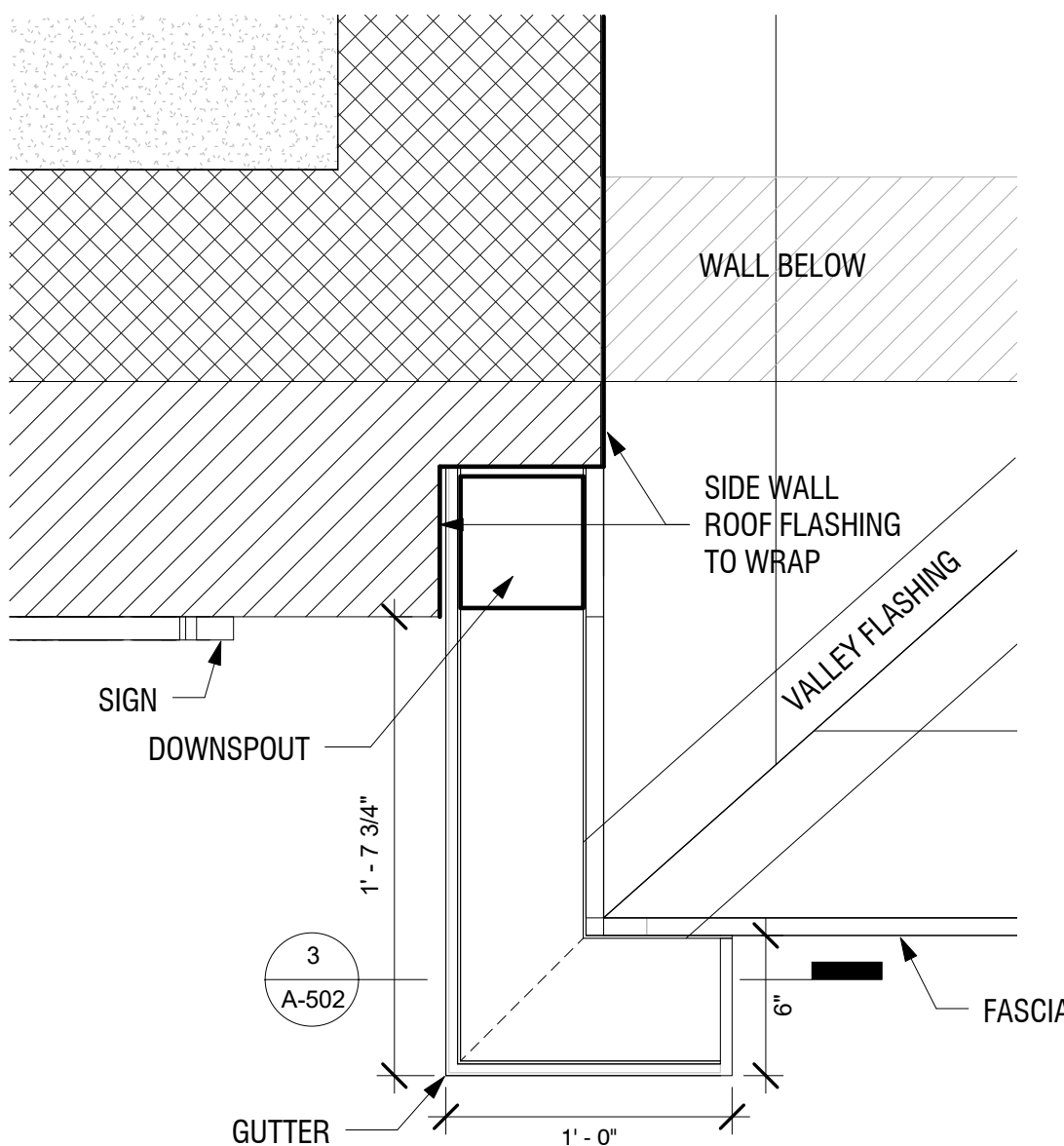
1 TOWER DOWNSPOUT PLAN CALLOUT
1 1/2" = 1'-0"



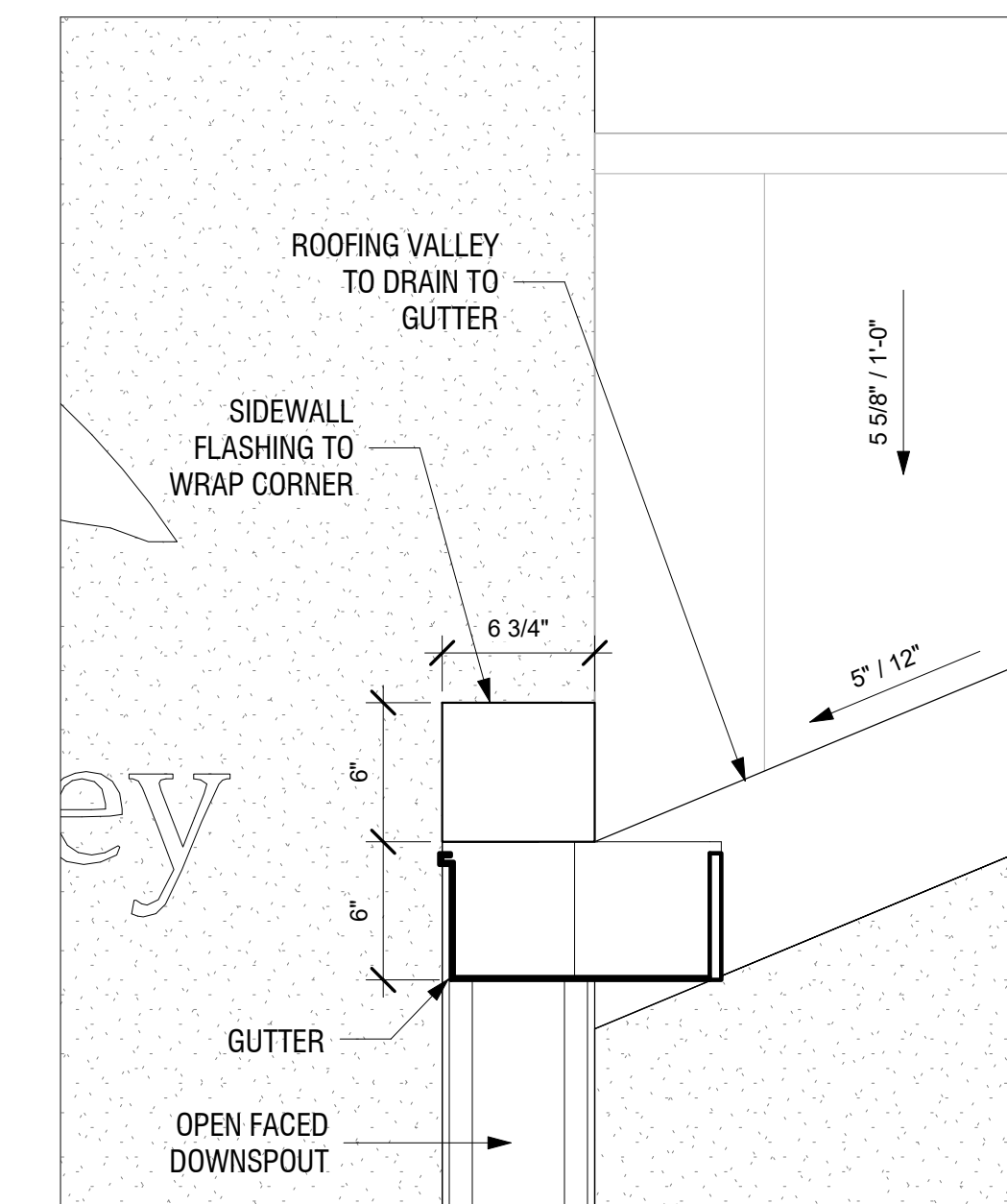
5 STANDING SEAM EAVE @ PORTAL
1 1/2" = 1'-0"



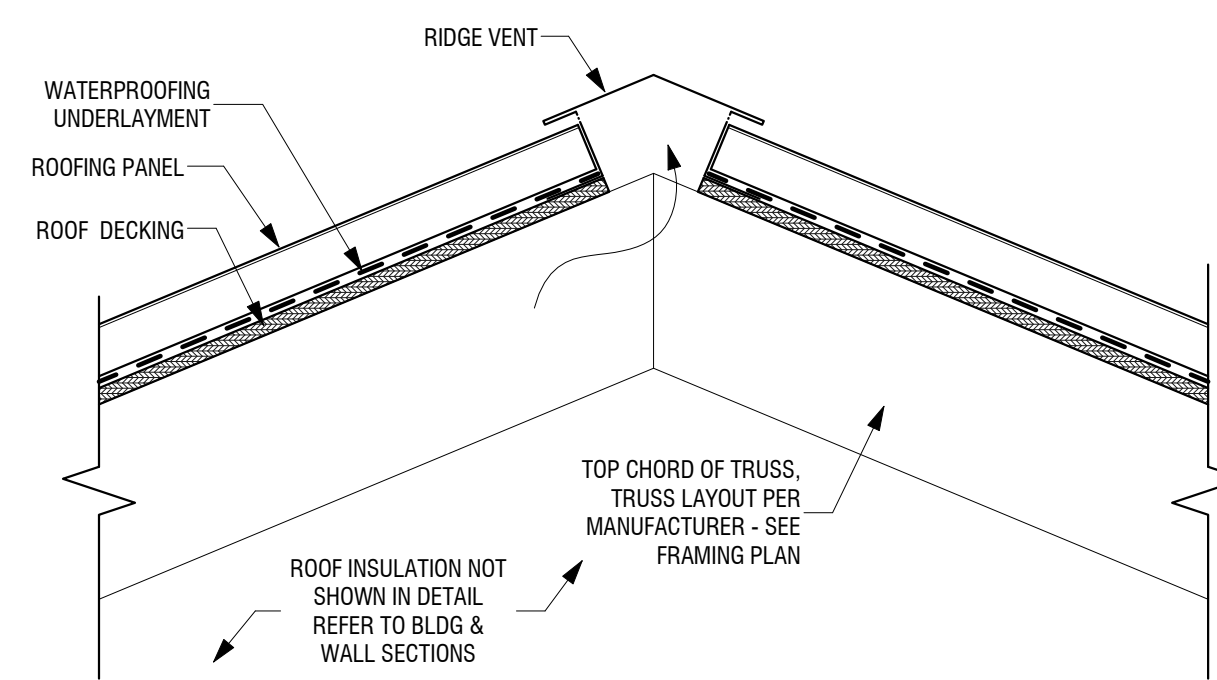
6 STANDING SEAM RAKE DETAIL
3" = 1'-0"



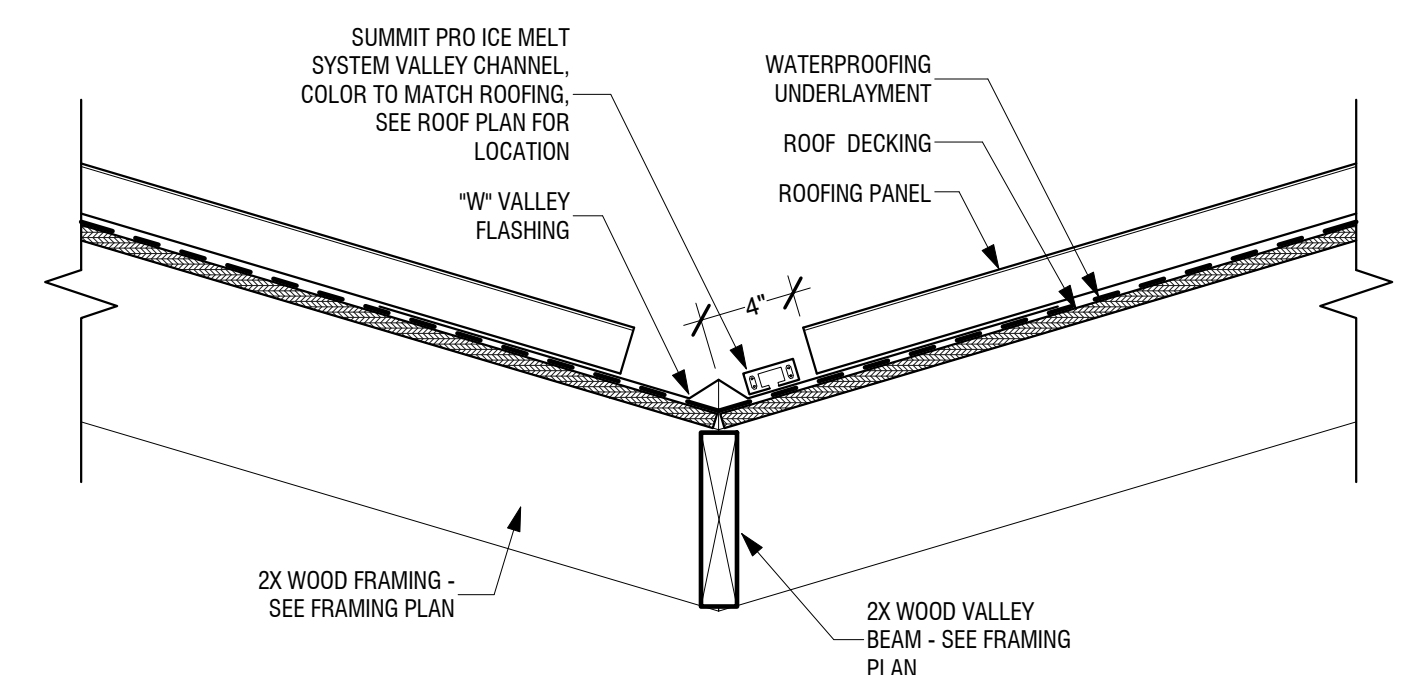
2 TOWER DOWNSPOUT ROOF PLAN CALLOUT
1 1/2" = 1'-0"



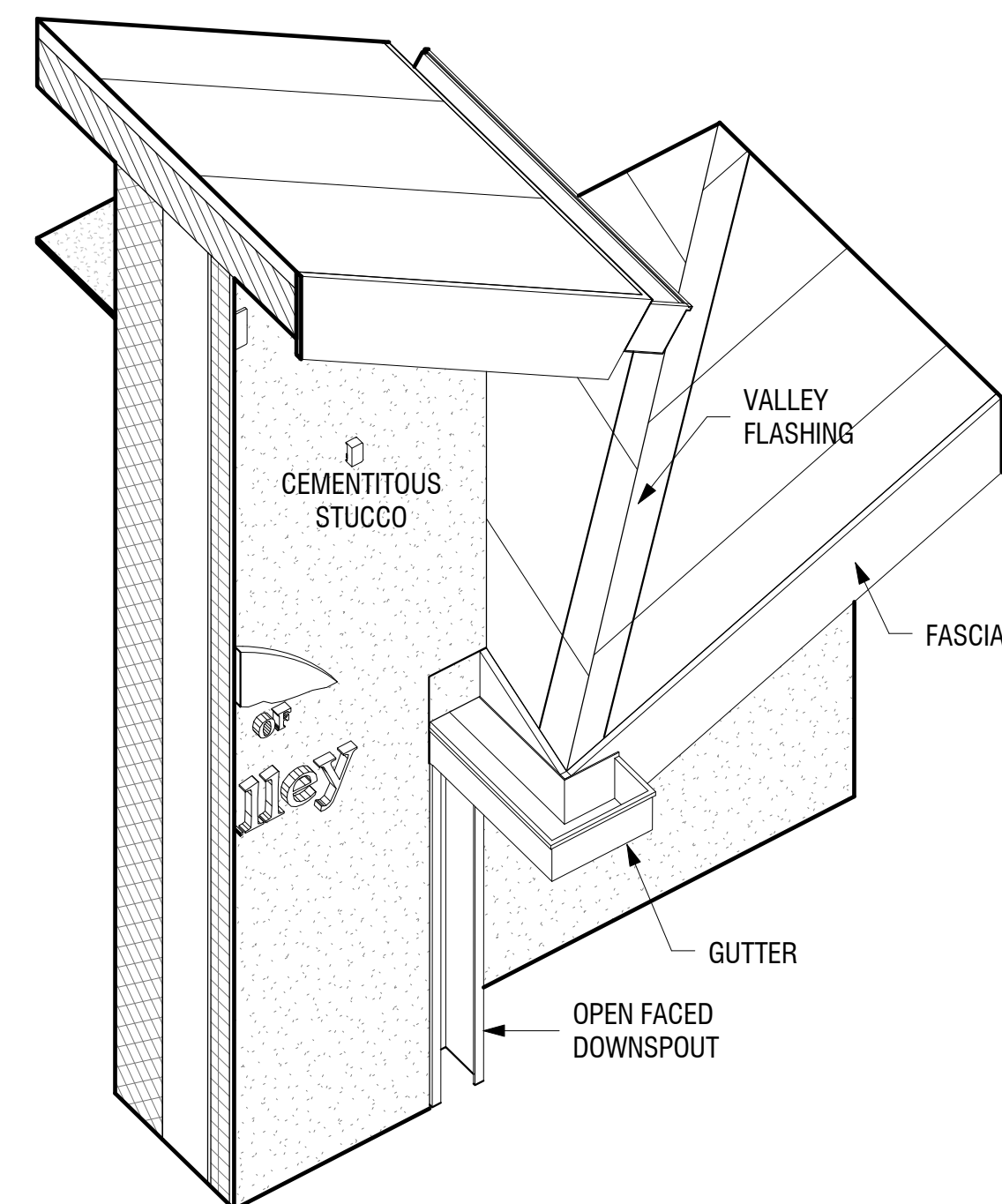
3 SECTION @ TOWER DOWNSPOUT
1 1/2" = 1'-0"



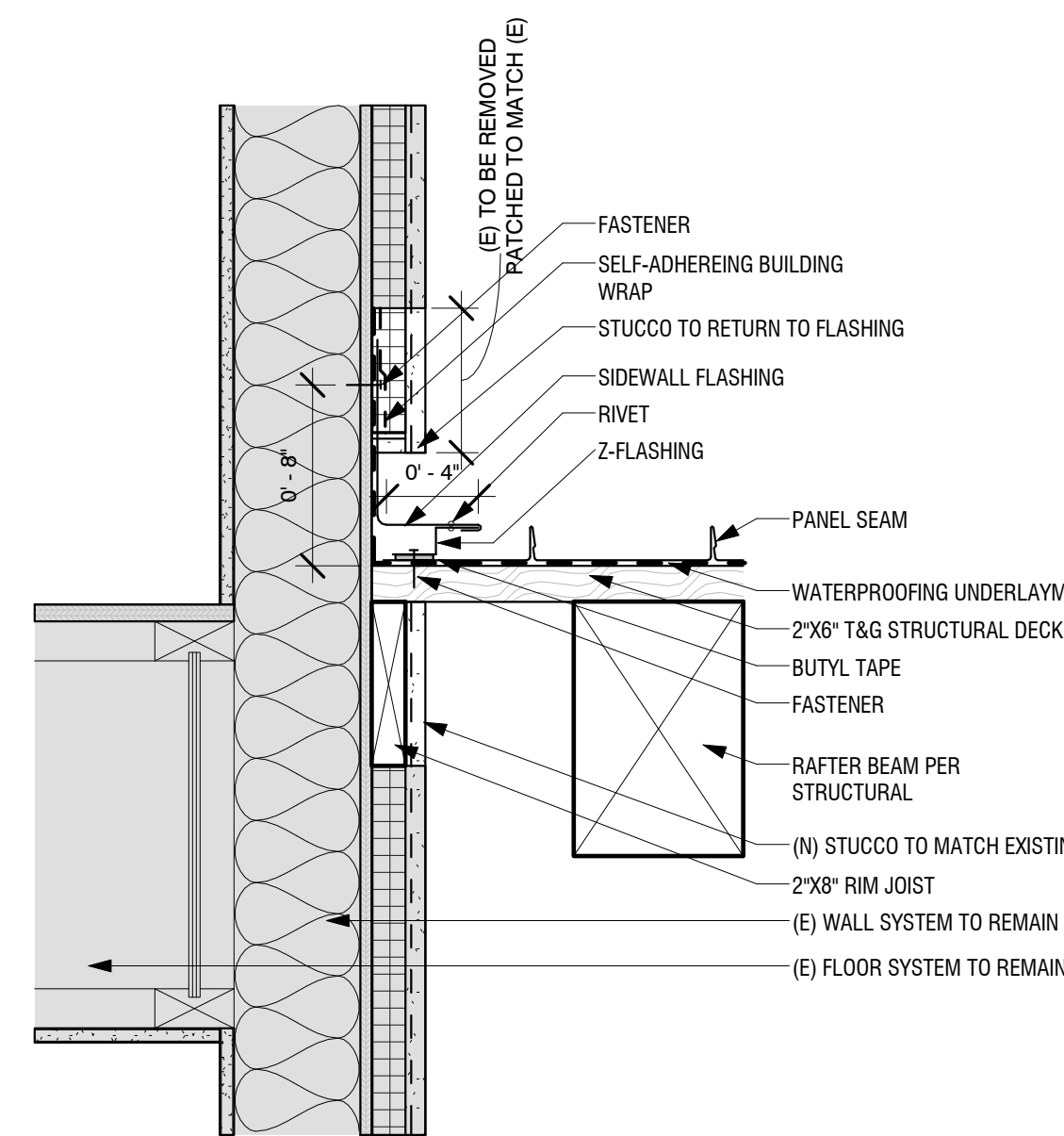
10 RIDGE VENT DETAIL
1 1/2" = 1'-0"



9 HEATED VALLEY DETAIL
1 1/2" = 1'-0"



4 3D OF TOWER DOWNSPOUT



7 STANDING SEAM SIDEWALL FLASHING
1 1/2" = 1'-0"