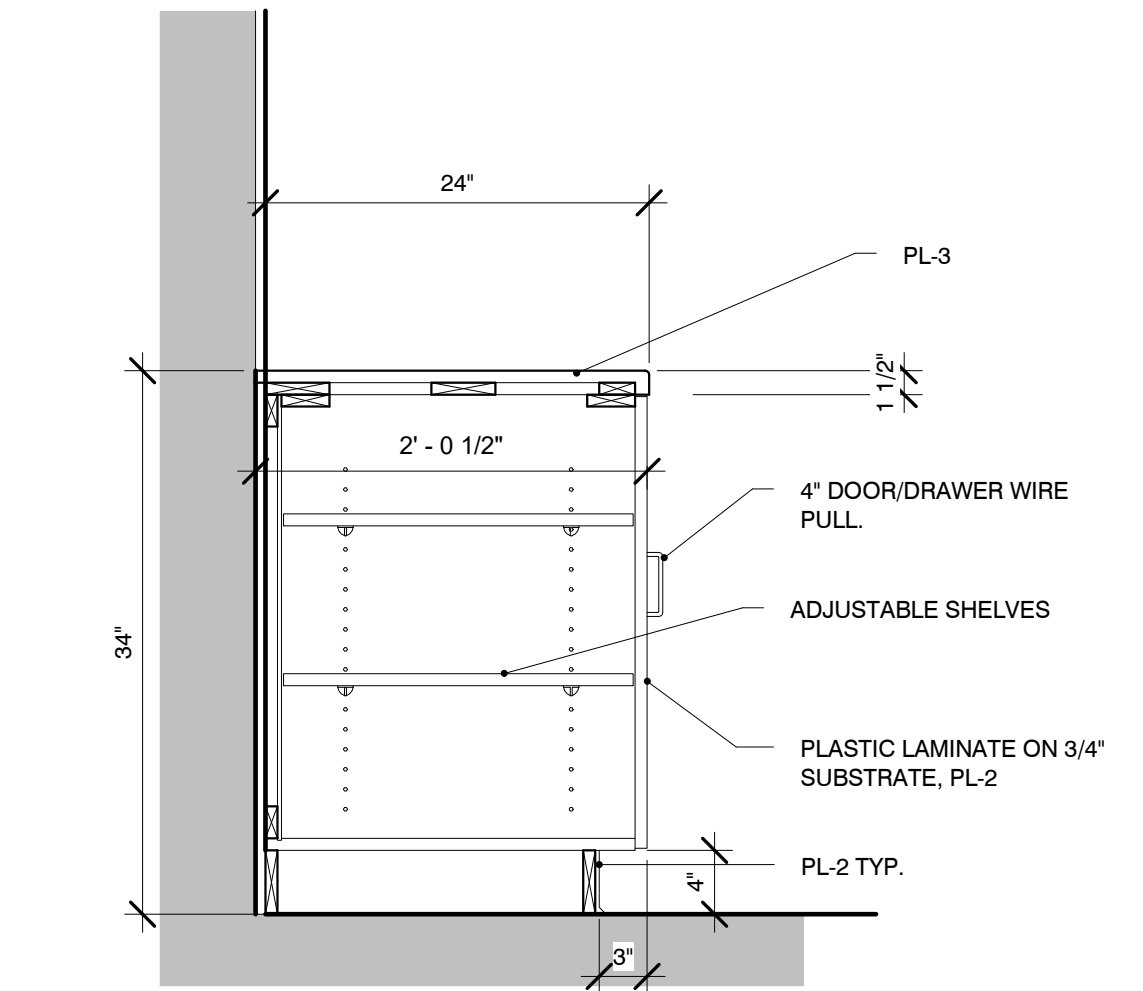
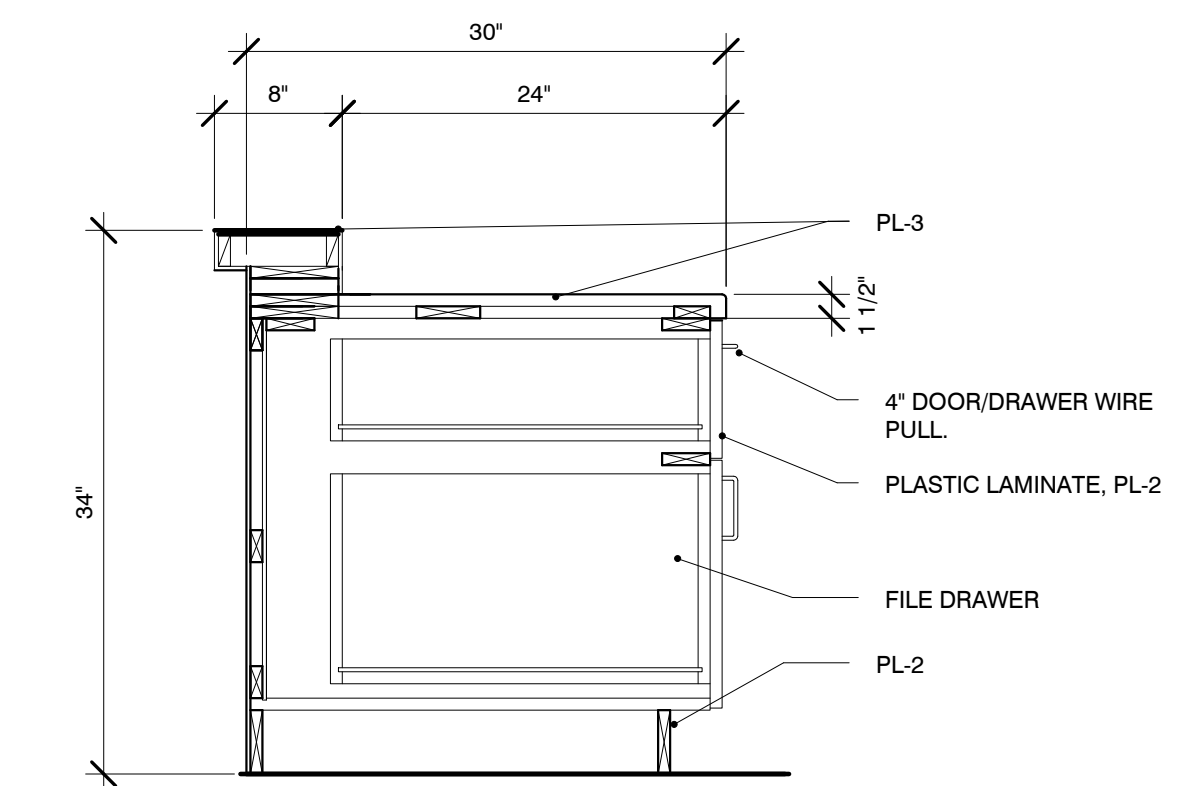


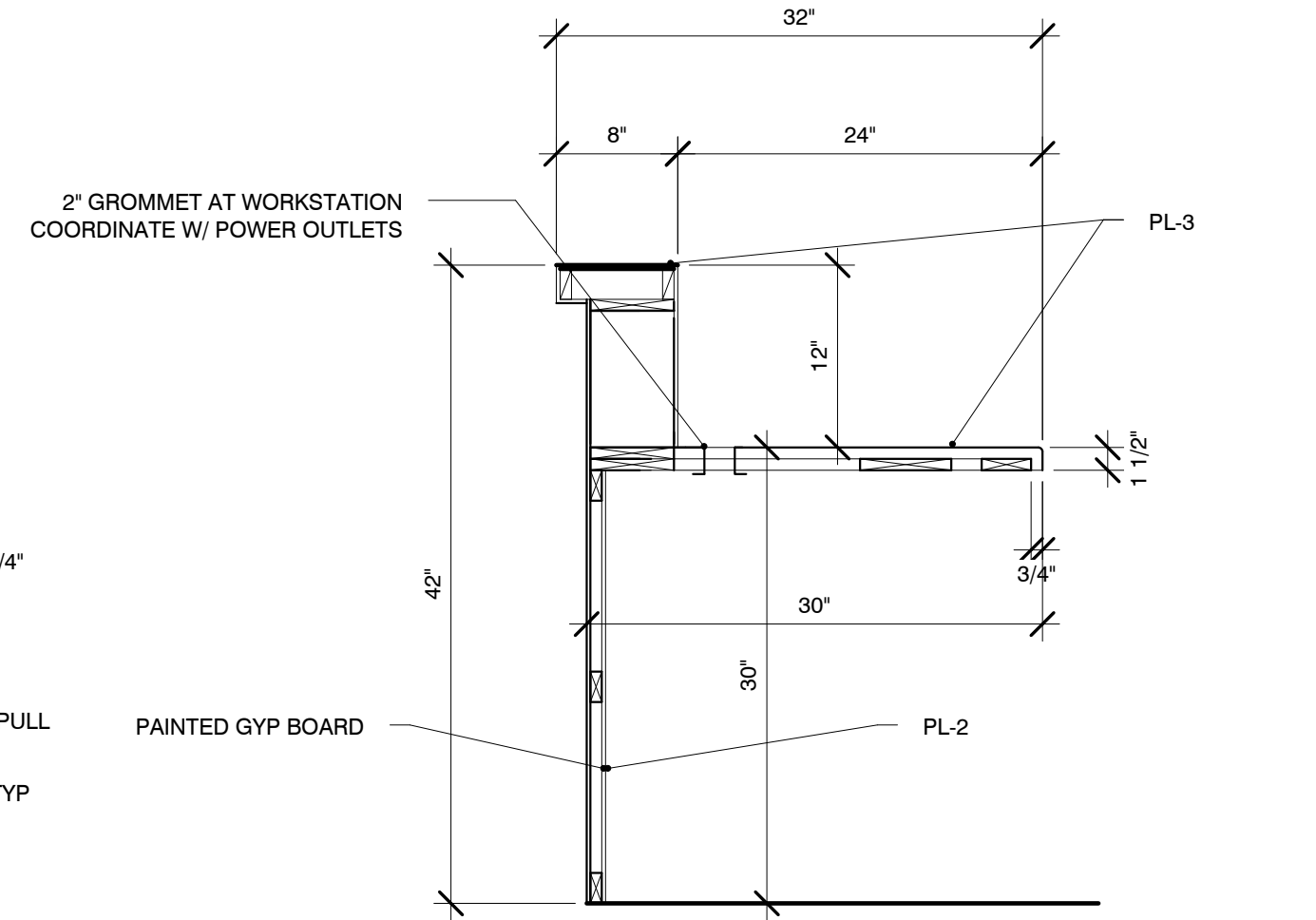
B1 CASEWORK SECTION-LOWER SINK/DOOR-UPPER DOOR
1" = 1'-0"



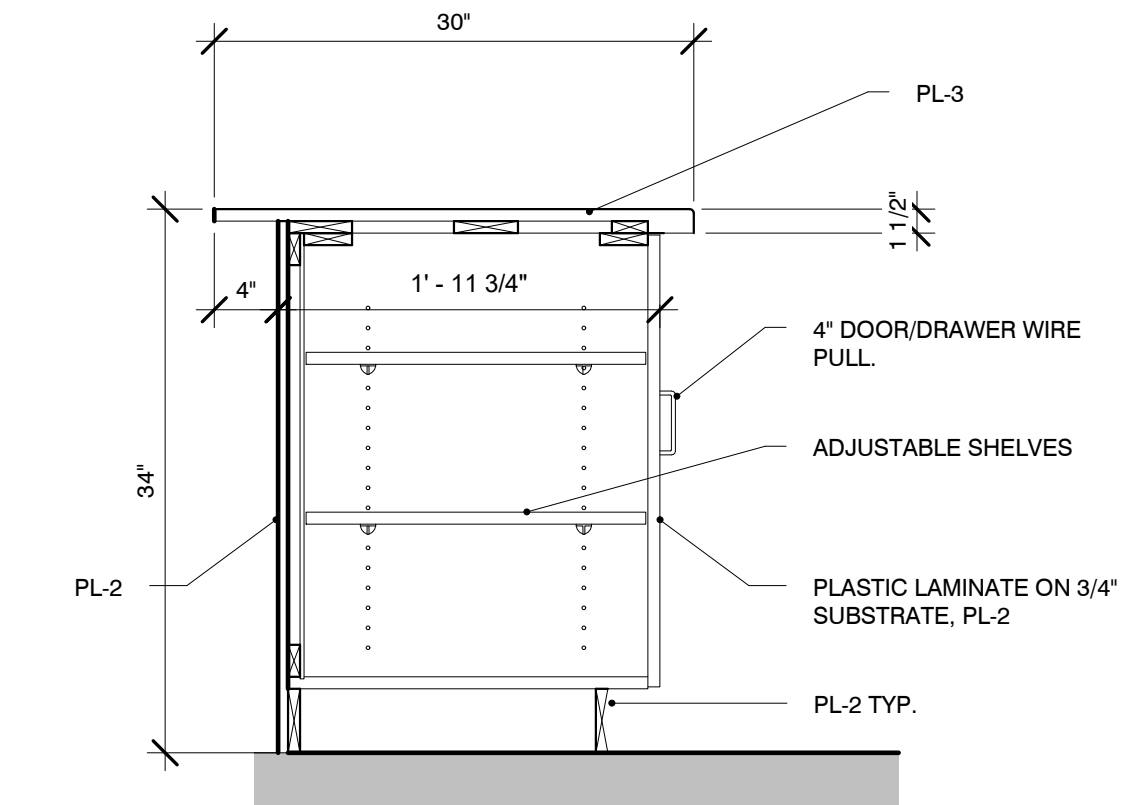
D2 CASEWORK SECTION- 34" TALL W/ADJUSTABLE SHELVES
1" = 1'-0"



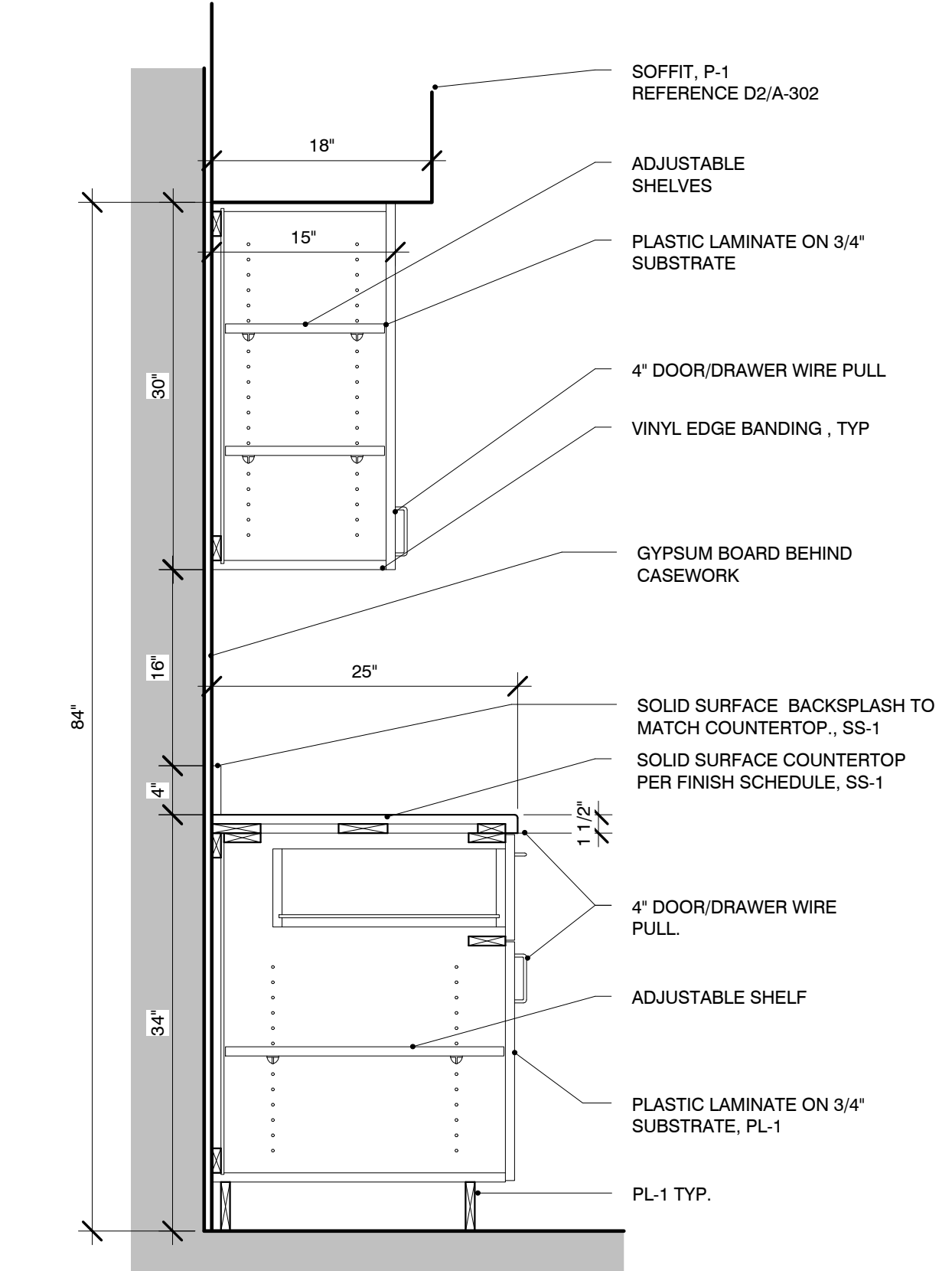
C2 CASEWORK SECTION- ADA COUNTER W/DWRS
1" = 1'-0"



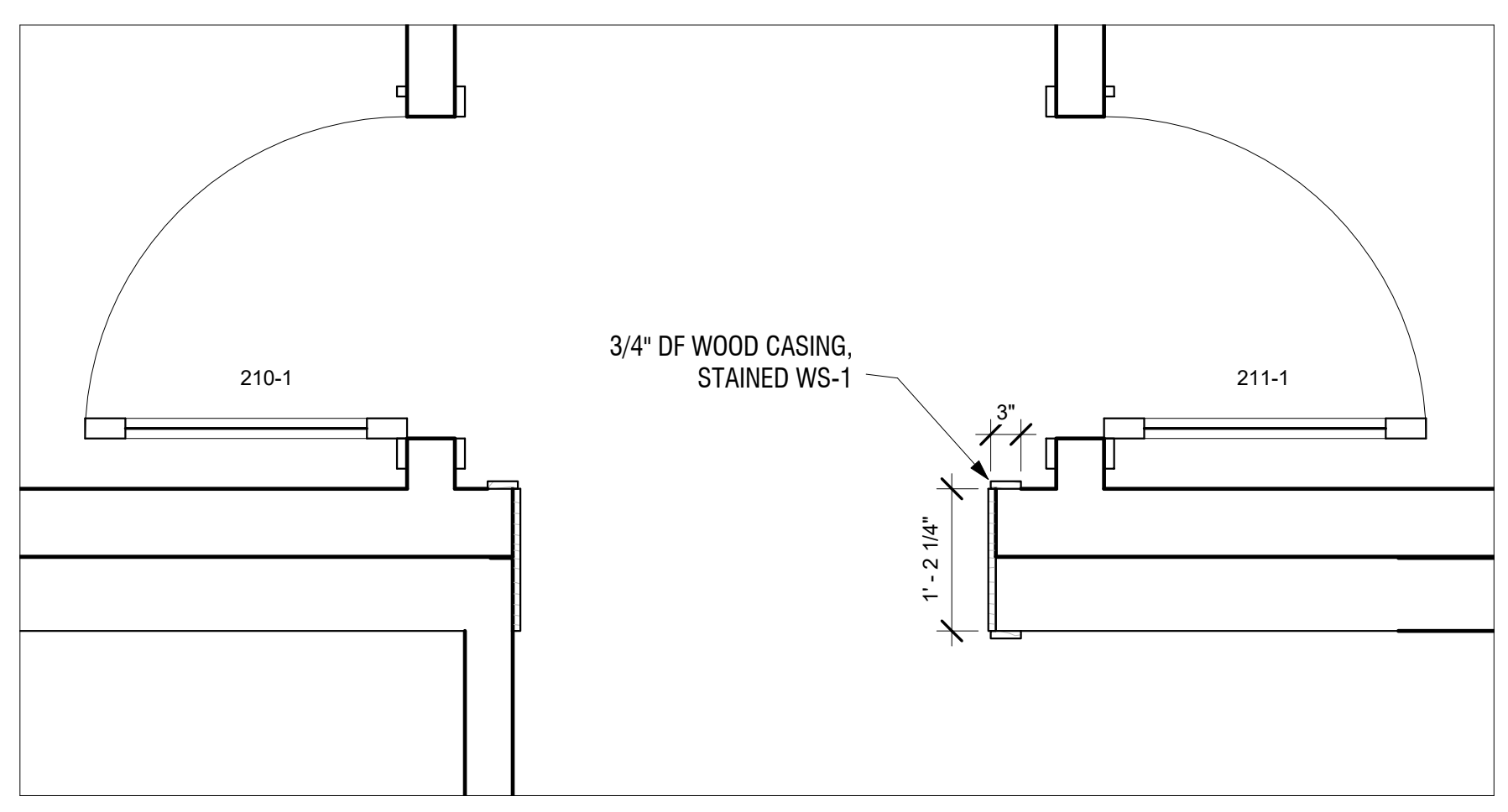
B2 CASEWORK SECTION- WORK STATION W/COUNTER
1" = 1'-0"



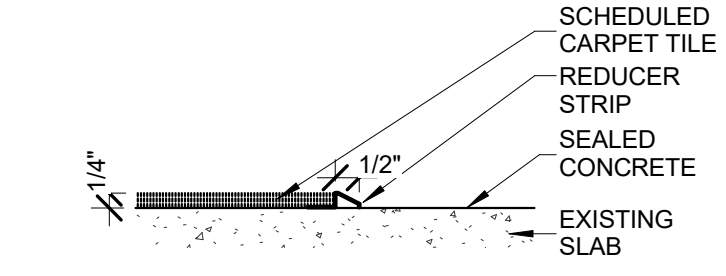
A2 CASEWORK SECTION- ENTRY COUNTER
1" = 1'-0"



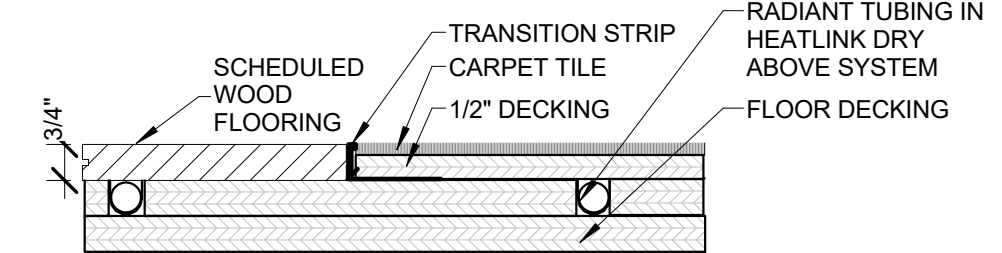
A1 CASEWORK SECTION- LOWER 1DWR/1DOOR-UPPER DOOR
1" = 1'-0"



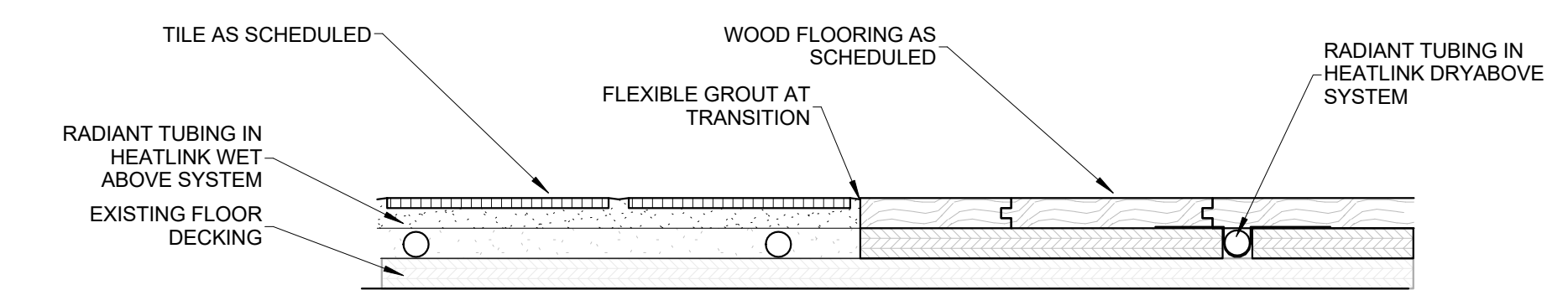
1 LEVEL 2 - PASS THROUGH CASING
3/4" = 1'-0"



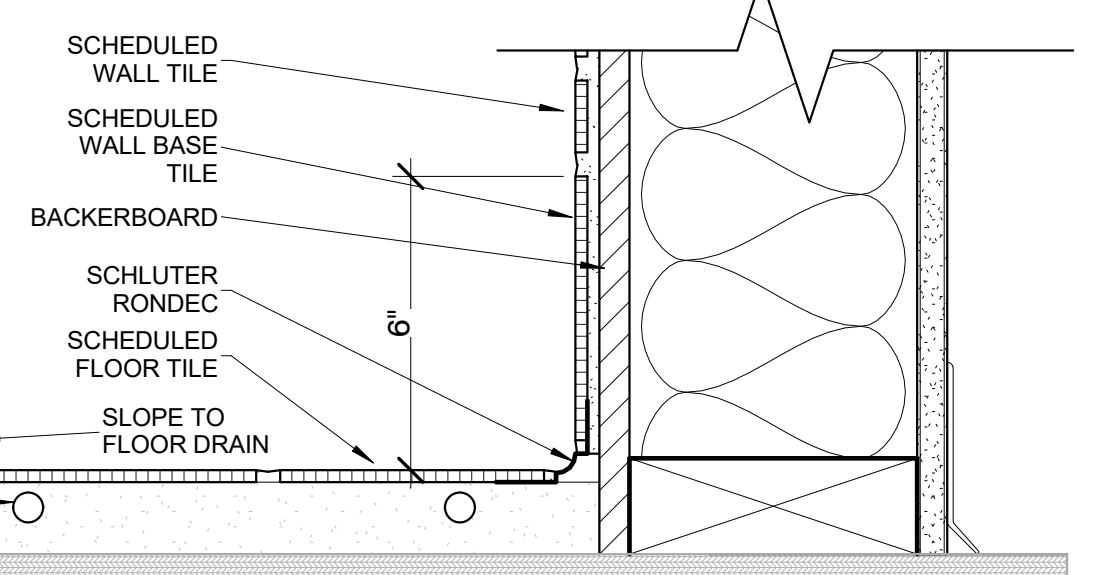
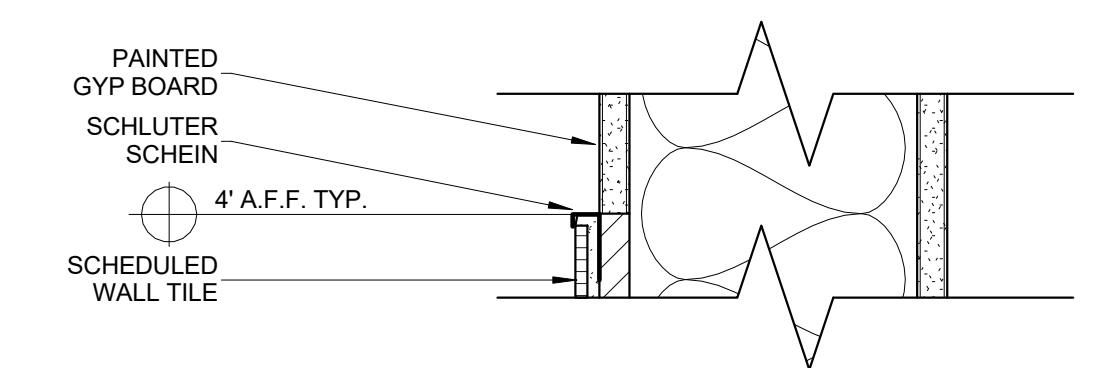
2 TRANSITION CARPET TO CONCRETE
3" = 1'-0"



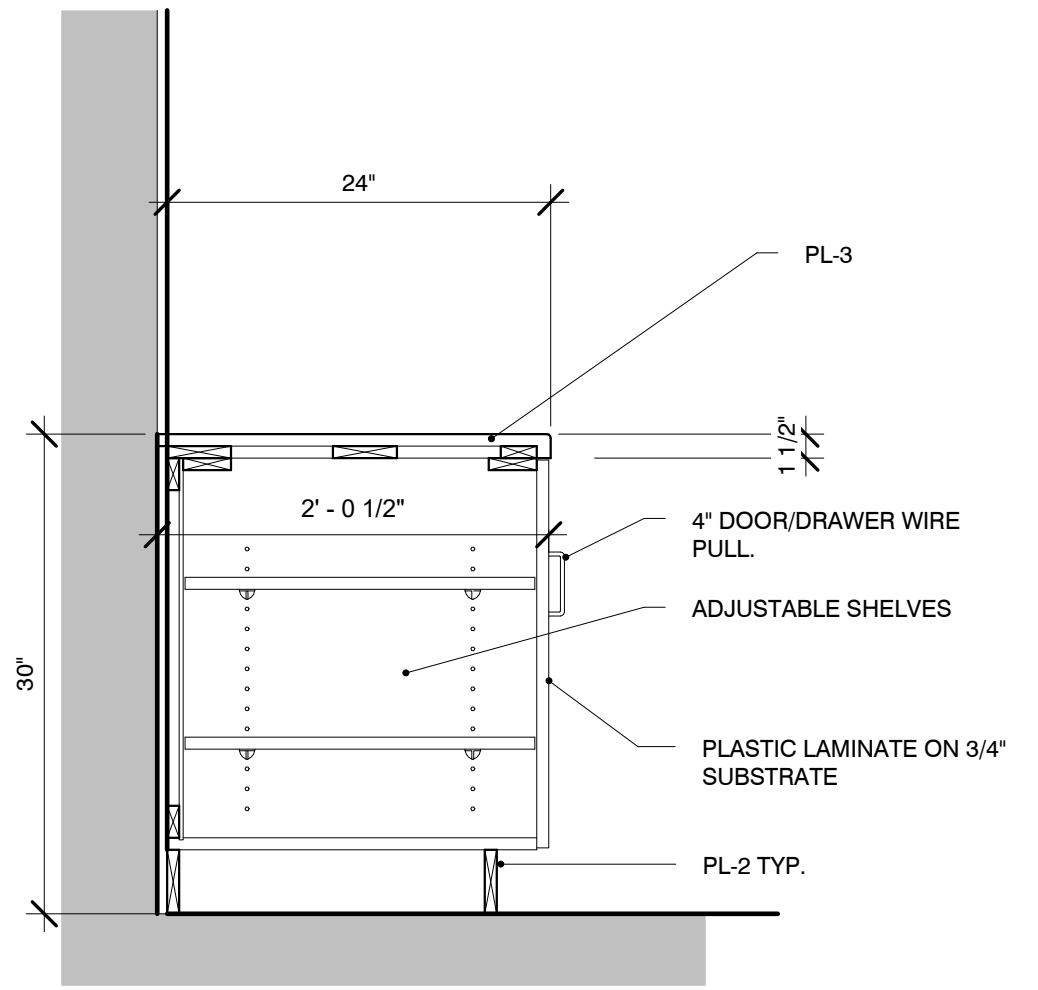
3 TRANSITION WOOD TO CARPET
3" = 1'-0"



5 TRANSITION TILE TO WOOD FLOOR
3" = 1'-0"



4 TRANSITION TILE TO WALL TILE
3" = 1'-0"



A3 CASEWORK SECTION- 30" TALL W/ADJUSTABLE SHELVES
1" = 1'-0"