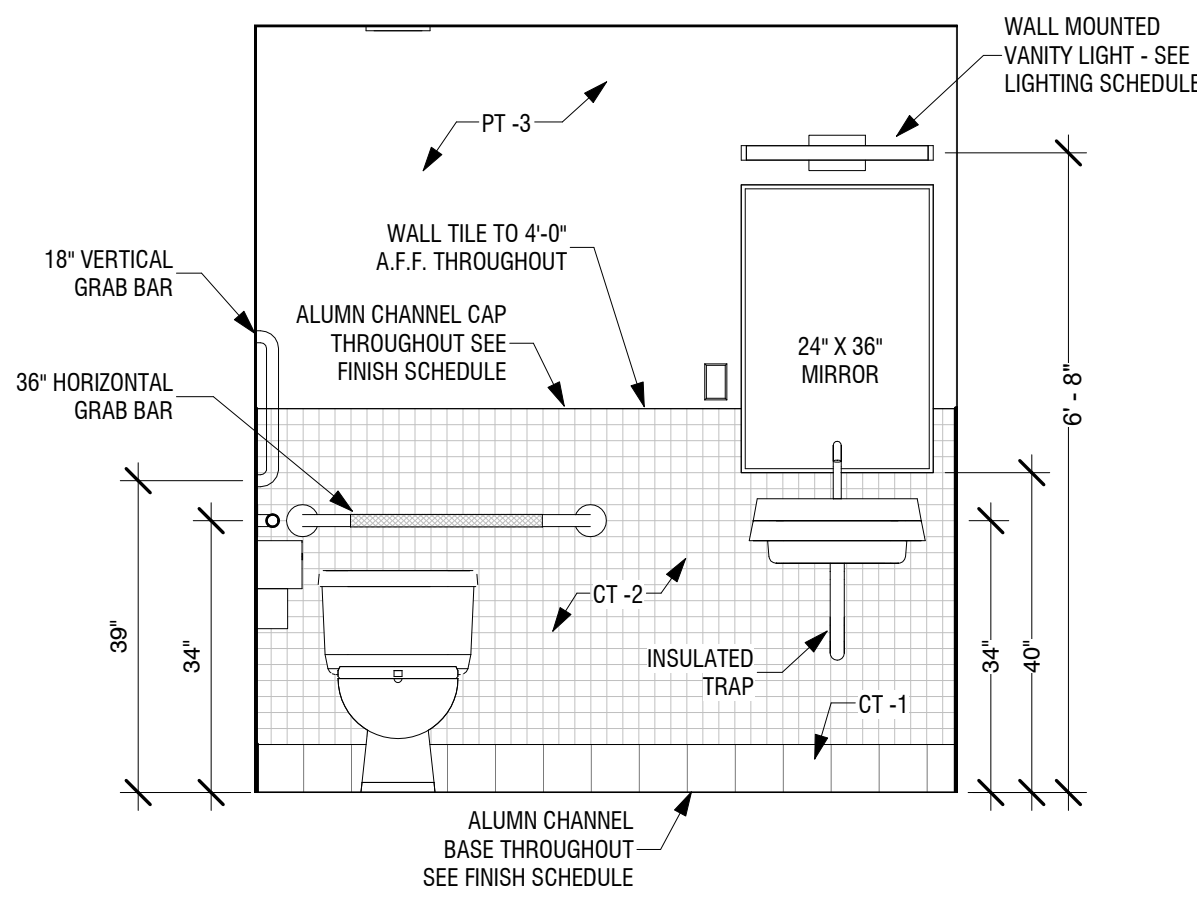
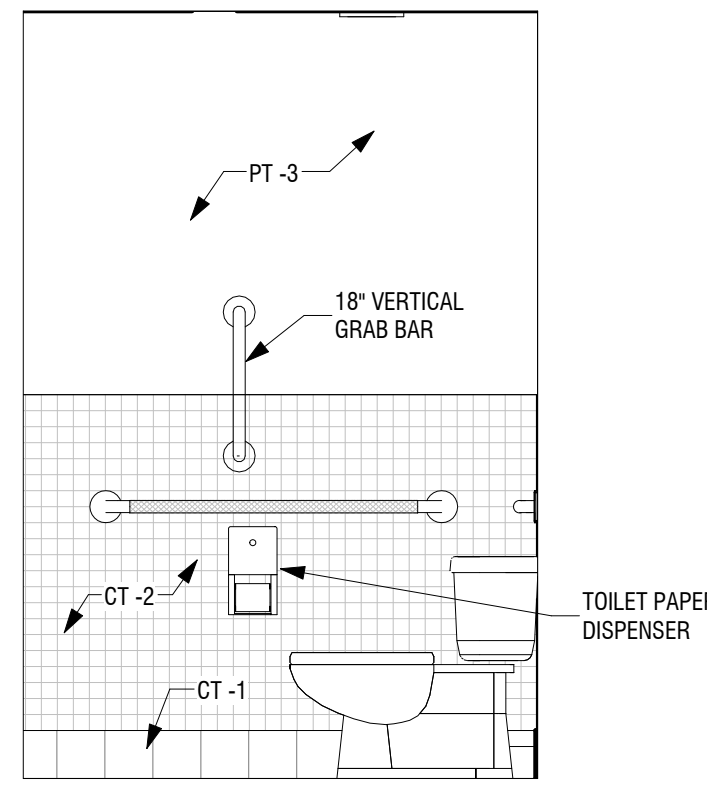


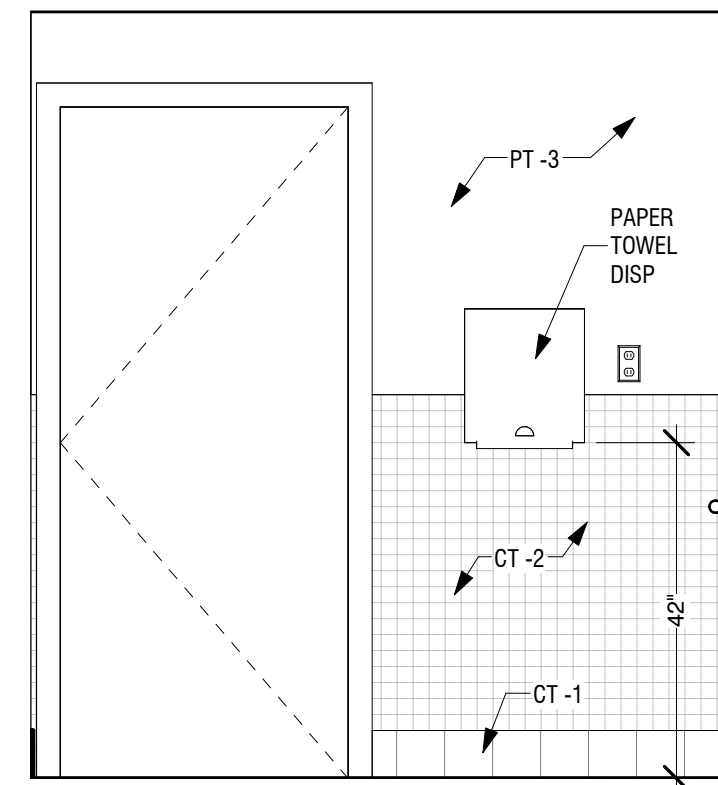
1 ENLARGED RESTROOM 1  
1/2" = 1'-0"



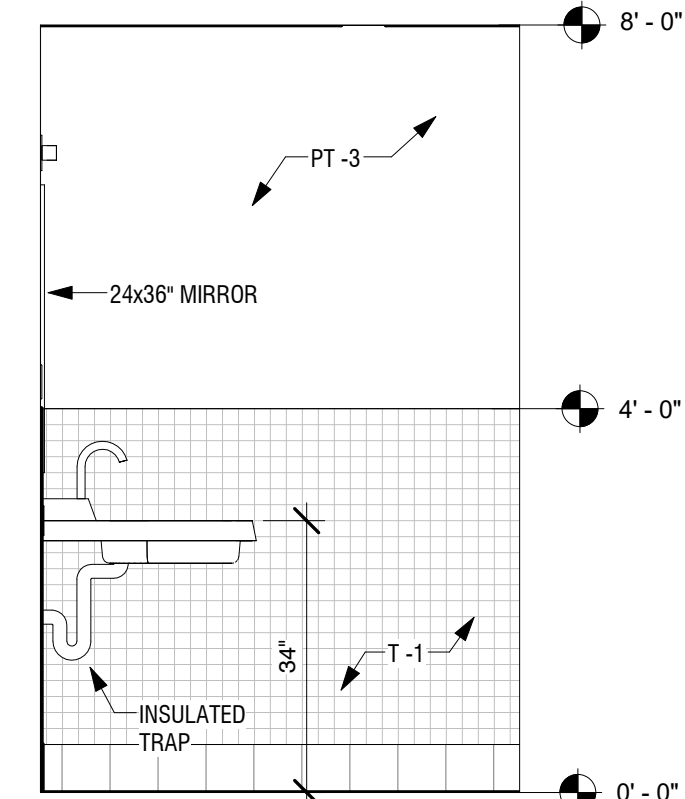
2 RESTROOM 1 108 WEST  
1/2" = 1'-0"



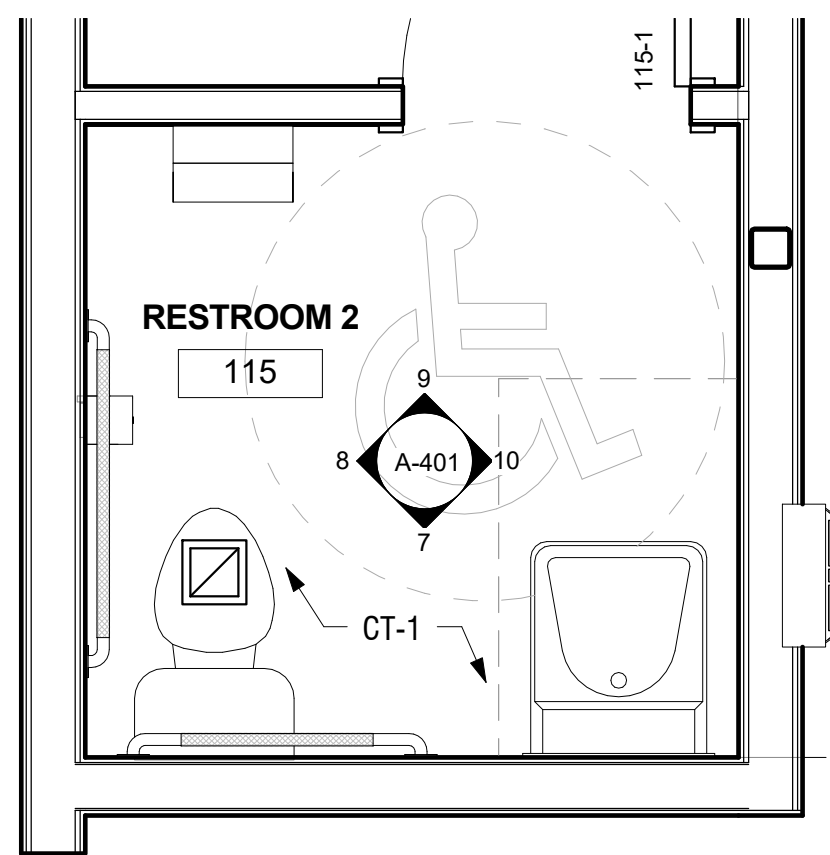
3 RESTROOM 1 108 SOUTH  
1/2" = 1'-0"



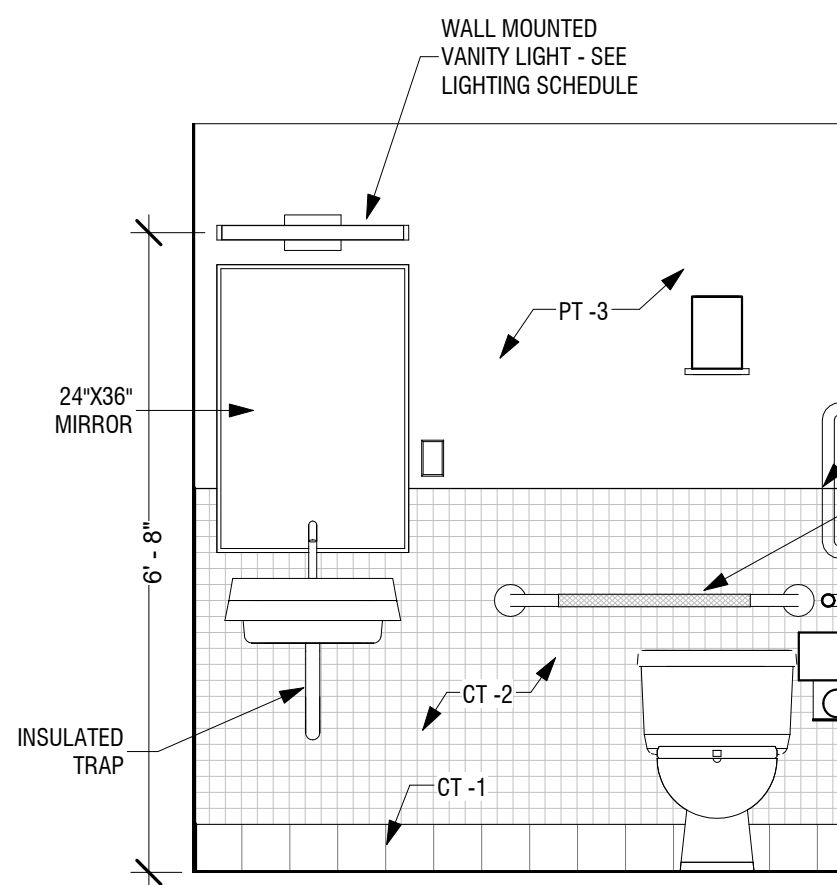
4 RESTROOM 1 108 EAST  
1/2" = 1'-0"



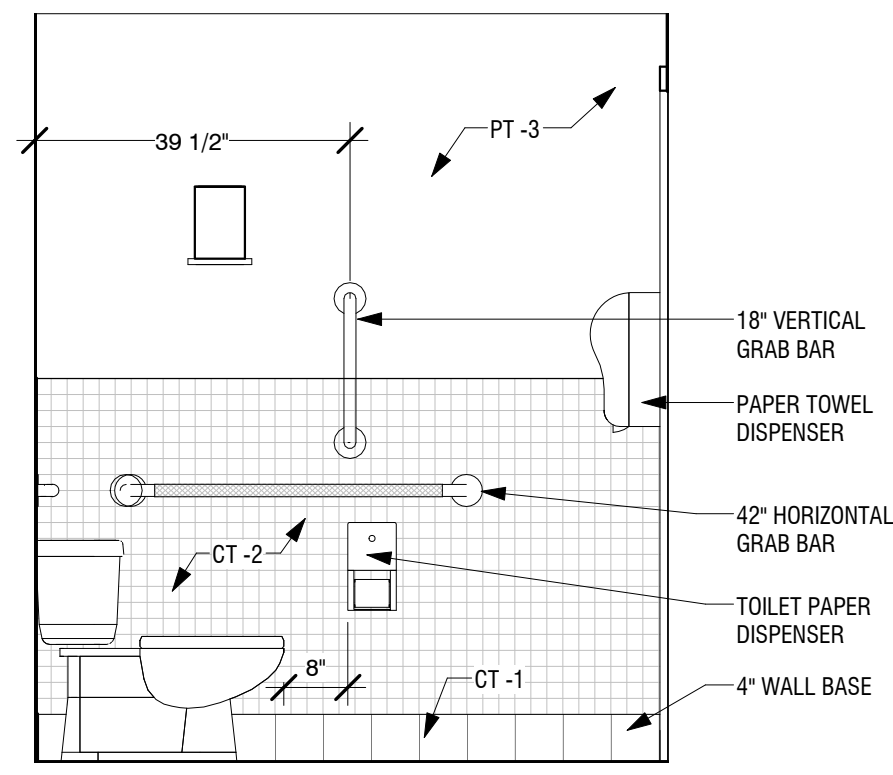
5 RESTROOM 1 108 NORTH  
1/2" = 1'-0"



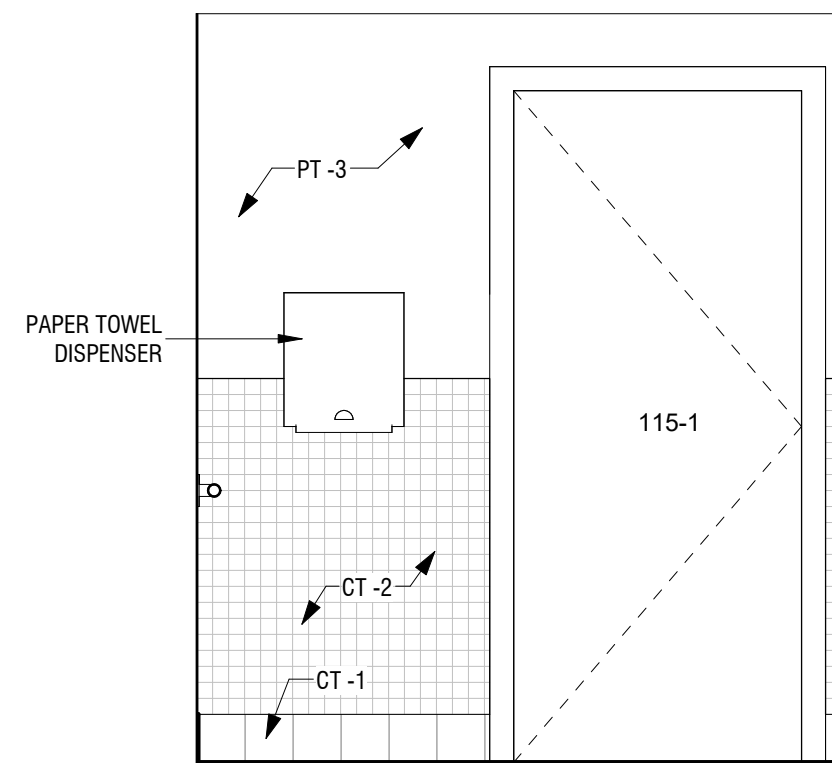
6 ENLARGED RESTROOM 2  
1/2" = 1'-0"



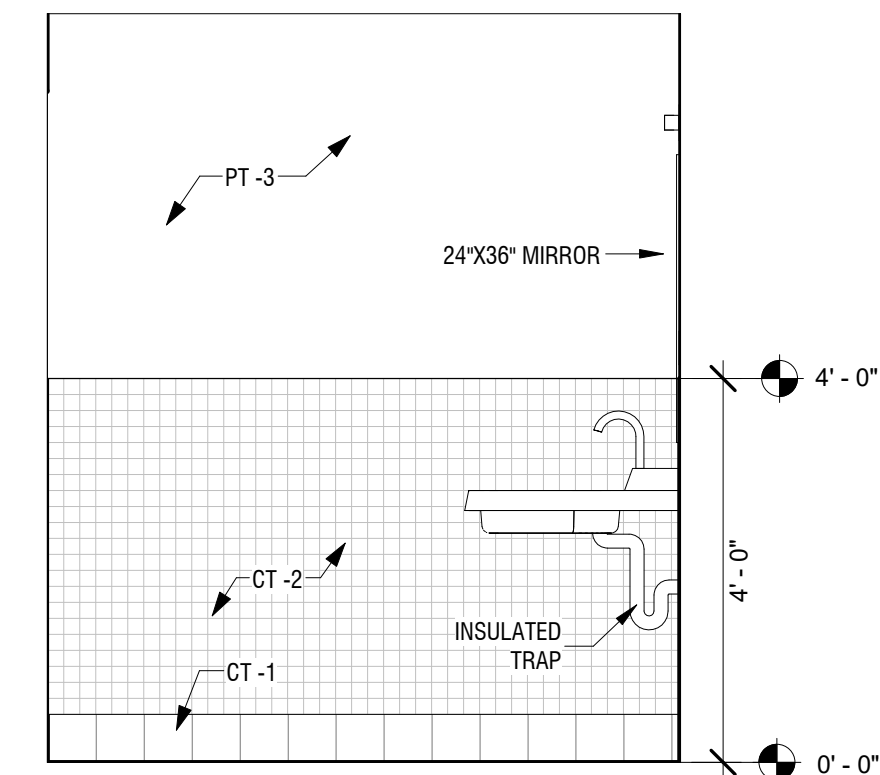
7 RESTROOM 2 115 SOUTH  
1/2" = 1'-0"



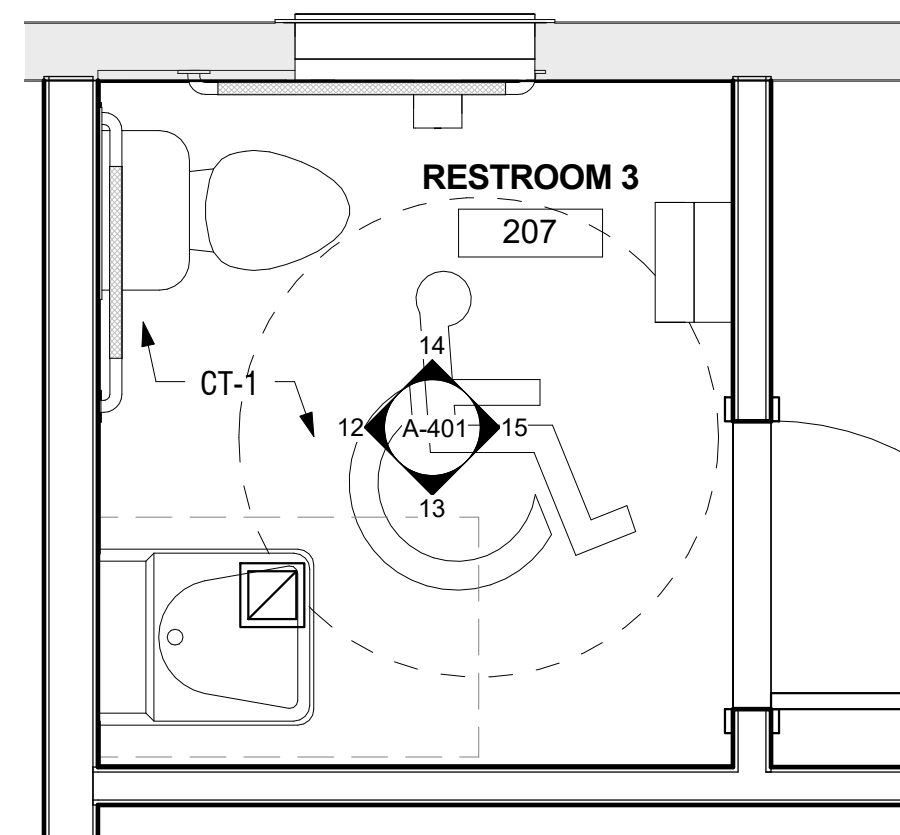
8 RESTROOM 2 115 WEST  
1/2" = 1'-0"



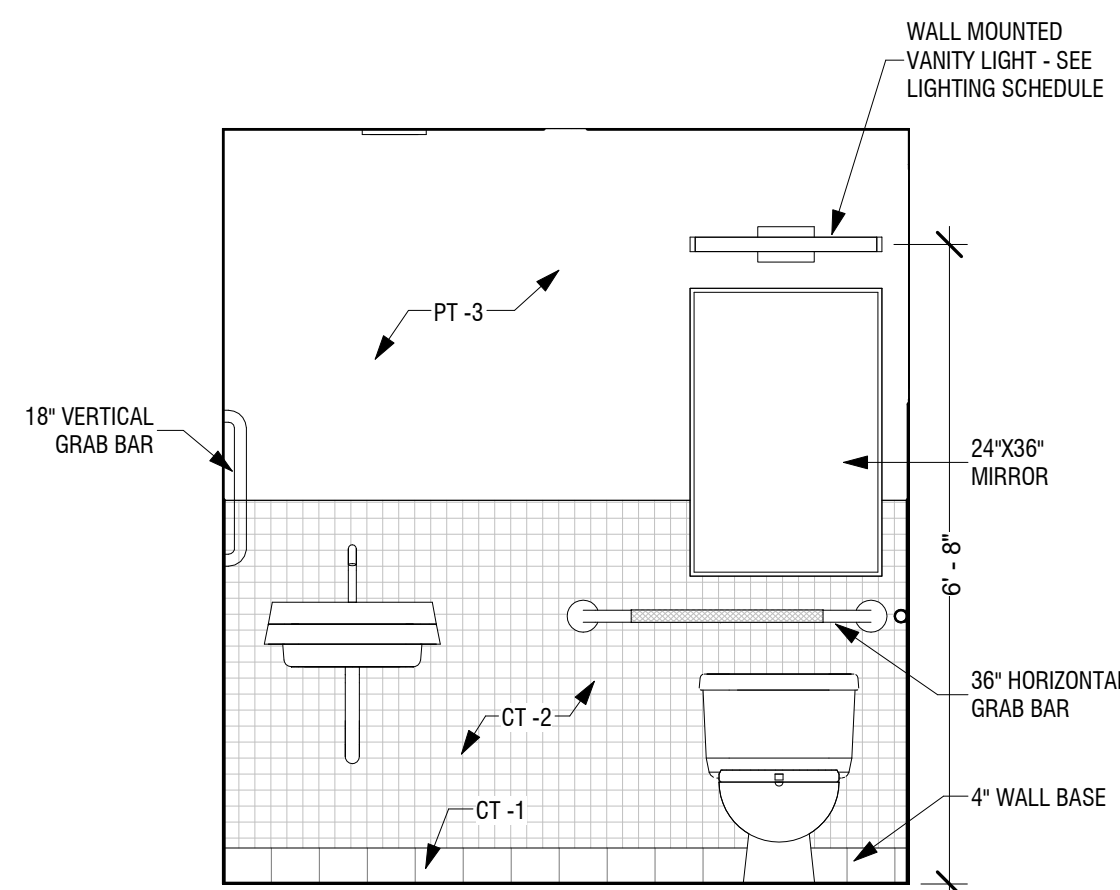
9 RESTROOM 2 115 NORTH  
1/2" = 1'-0"



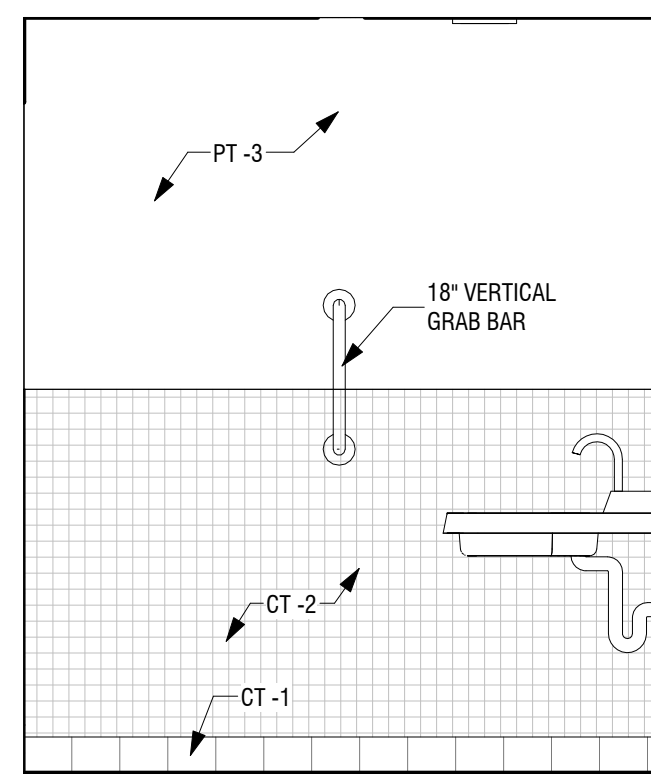
10 RESTROOM 2 115 EAST  
1/2" = 1'-0"



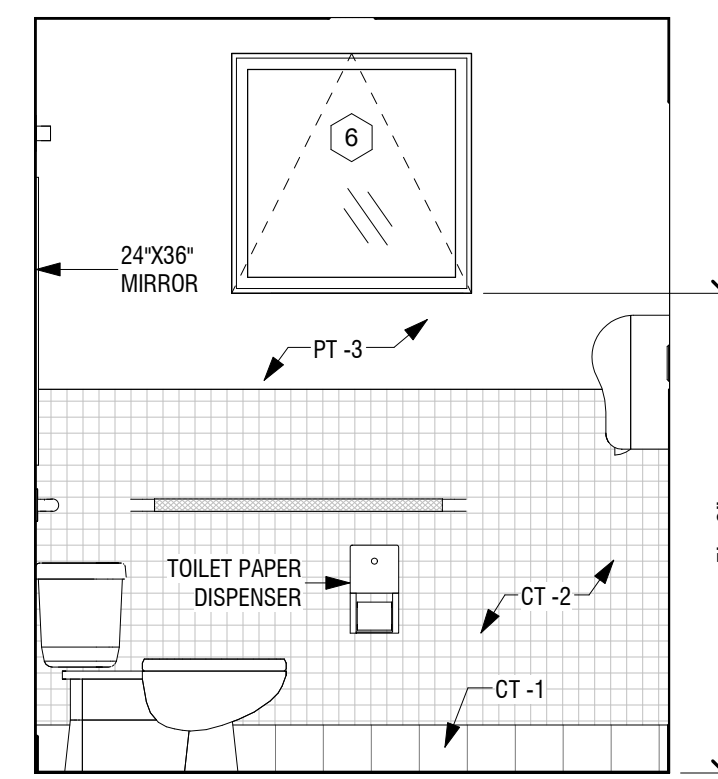
11 ENLARGED RESTROOM 3  
1/2" = 1'-0"



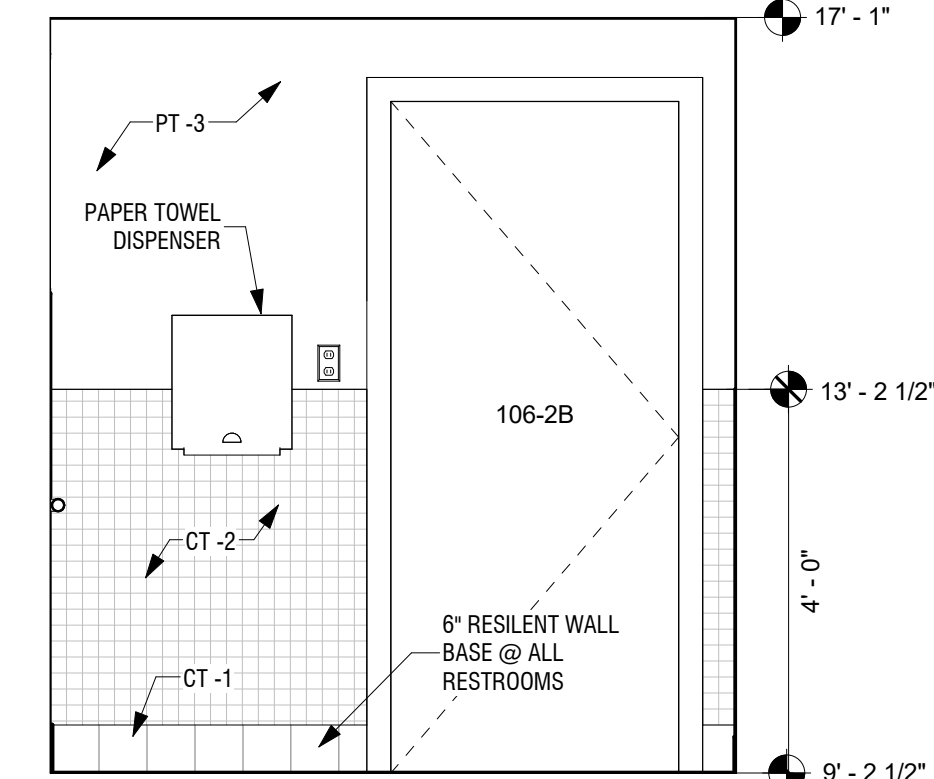
12 RESTROOM 3 207 WEST  
1/2" = 1'-0"



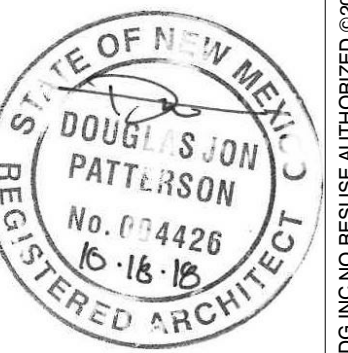
13 RESTROOM 3 207 SOUTH  
1/2" = 1'-0"



14 RESTROOM 3 207 NORTH  
1/2" = 1'-0"



15 RESTROOM 3 207 EAST  
1/2" = 1'-0"



THIS DESIGN IS CONFIDENTIAL AND PROPRIETARY OF LDG. NO REUSE OR REPRODUCTION IS PERMITTED WITHOUT WRITTEN PERMISSION.

2:010 ACTIVE PROJECTS/2018-600 VTSV Admin/09 CAD/09/2018-600 - VTSV ADMIN BID SET - JB LOCAL 10.12.18.rvt

PROJ. NO: 2018-600  
ISSUE DATE: 10/18/18  
ISSUED FOR:

REVISIONS:  
NO DATE DESCRIPTION

DRAFTED BY: LDG  
APPROVED BY: LDG

SCALE: 1/2" = 1'-0"

ENLARGED  
PLANS &  
INTERIOR  
ELEVATIONS  
**A-401**